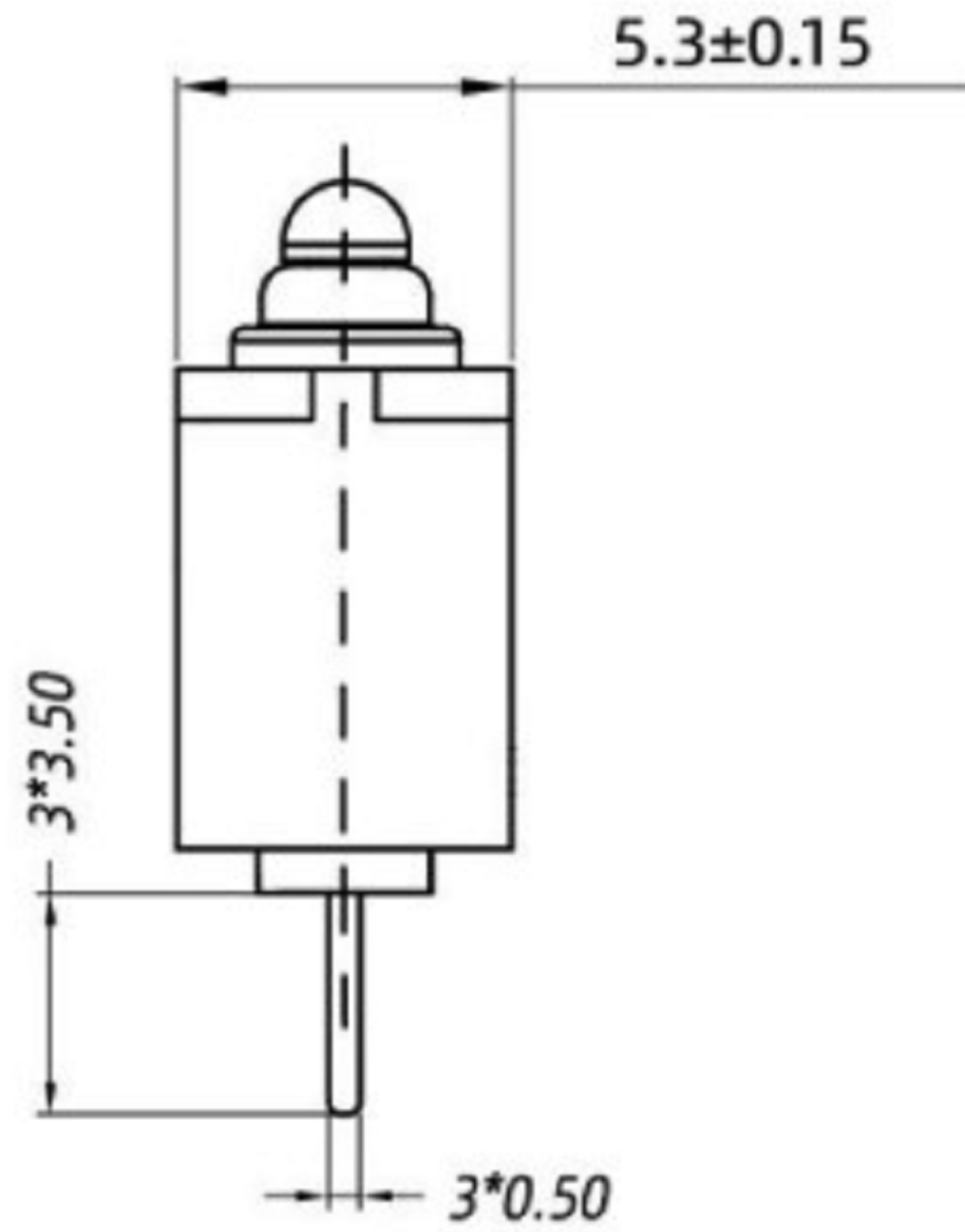
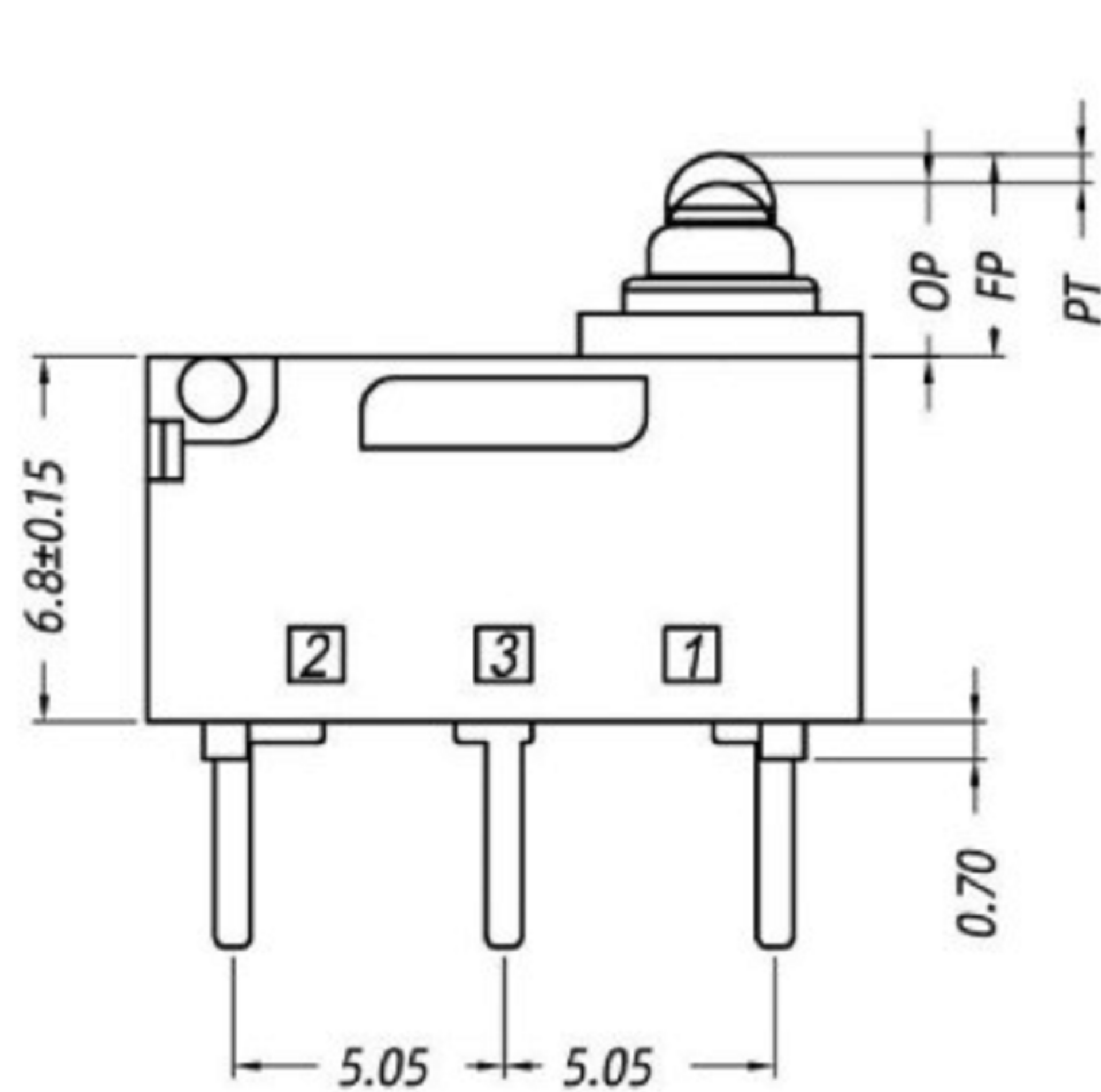
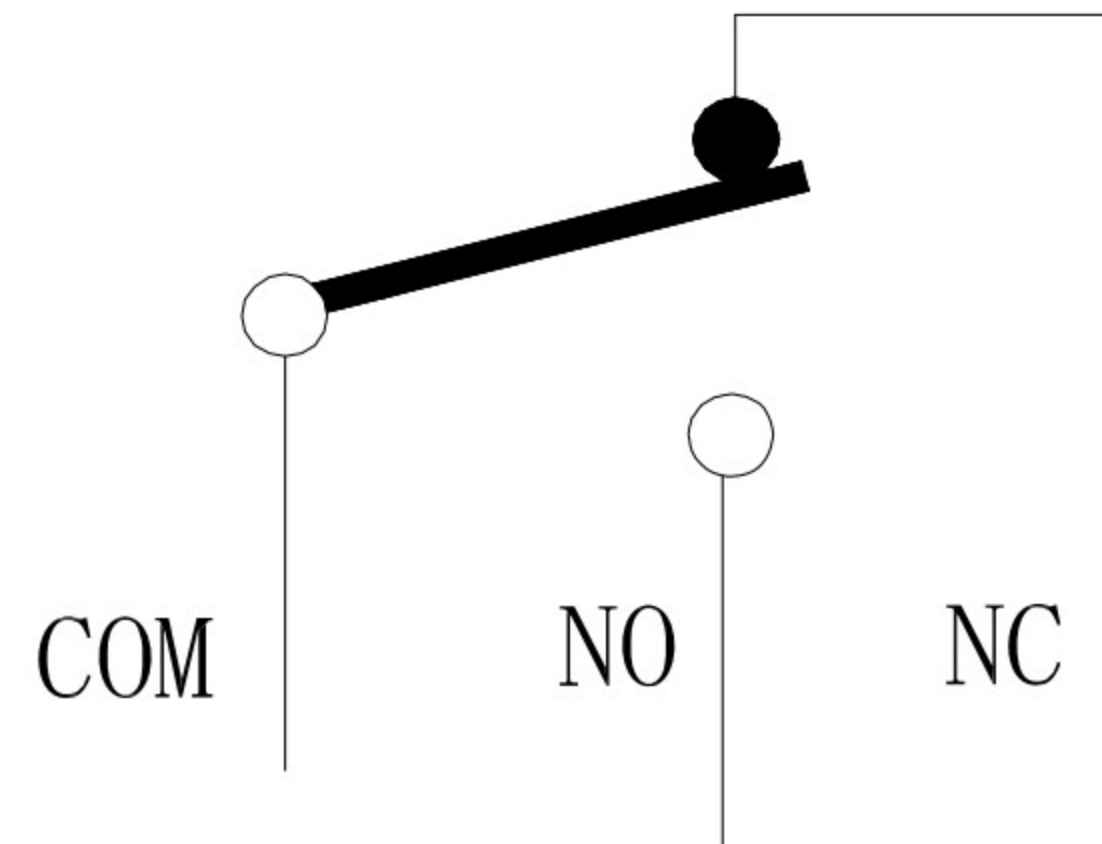
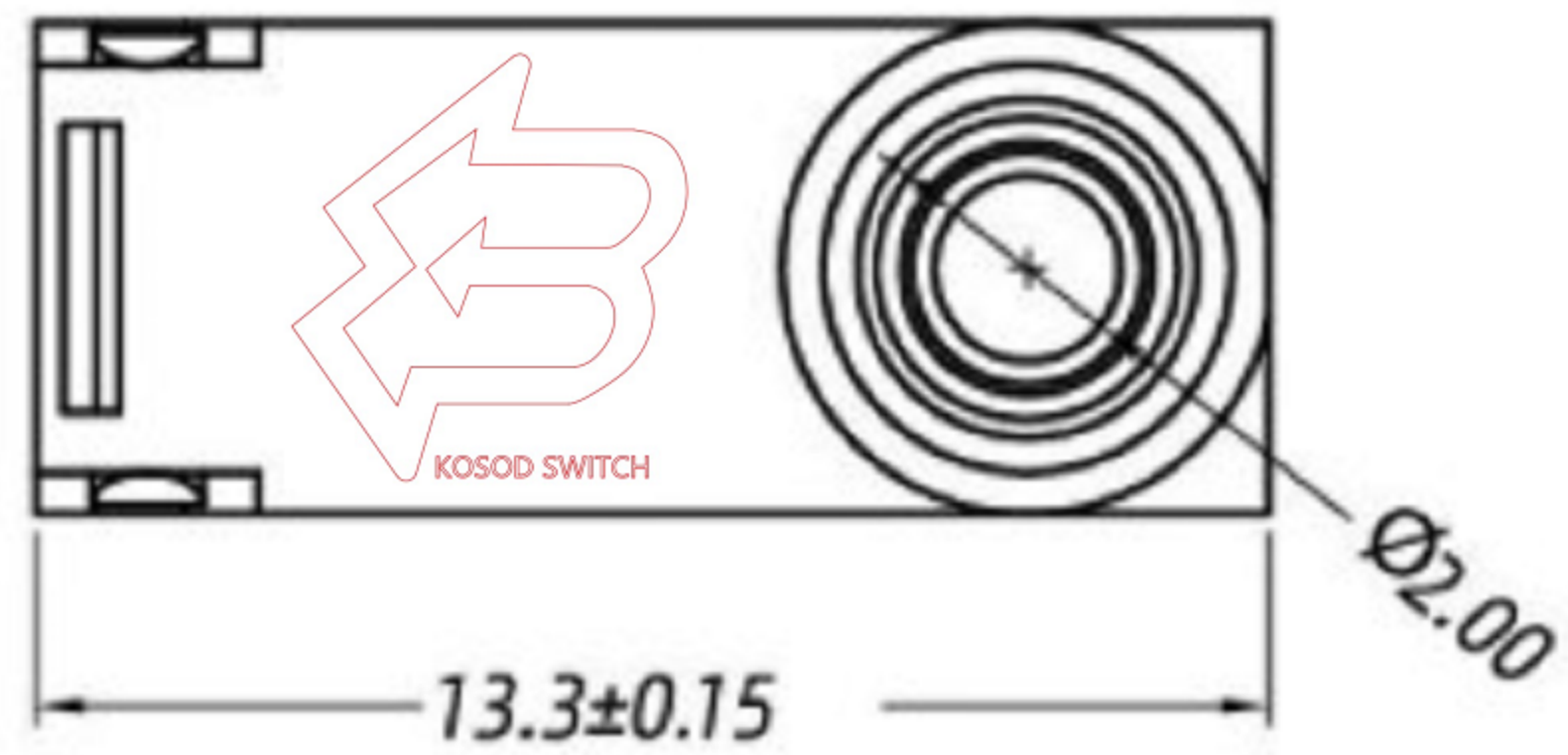


SCHEMATIC



防水微动开关

- 1.微动开关型号 MICRO SWITCH MODEL: LXW-3-6-5C-AP
- 2.焊线端子 SOLDER CONNECTOR TYPE;
单刀单掷 SINGLE POLE SINGLE THROW
- 3.额定值 RATING: ▲3A 125VAC μ 25T85
1A 125VAC μ 25T85
0.1A 125VAC μ 25T85
3A 12/24/30/48VDC μ 25T85
1A 12/24/30/48VDC μ 25T85
0.1A 12/24/30/48VDC μ 25T85
- 4.接触电阻 CONTACT RESISTANCE: <50m Ω (INITIAL)
- 5.绝缘电阻 INSULATION RESISTANCE: \geq 100M Ω (DC500V/1MIN)
- 6.介电强度 DIELECTRIC STRENGTH: 1500V /5mA /1MIN
- 7.机械寿命 MECHANICAL LIFE: >100000 CYCLES
- 8.电气寿命 ELECTRICAL LIFE: >10000 CYCLES
- 9.端子手工焊接条件 SOLDER ABILITY OF TERMINAL: MAX260°C, 3S
- 10.操作力 OPERATION FORCE:100 \pm 50gf
- 11.所有部件均使用环保材料 ALL MATERIALS ARE RoHS COMPLIANT

东莞市高迪电子有限公司
DONG GUAN GAO DI ELECTRONICS CO., LTD

TOLERANCE UNLESS OTHERWISE STATED:

Up to 5	\pm 0.2
Above 5 ~ 15	\pm 0.3
Above 15 ~ 30	\pm 0.4
Above 30 ~ 50	\pm 0.5
Angle	\pm 0.3°

3RD. ANGEL'S UNITS MM

DRAWN BY:	DATE	MAT'L	TITLE	SWITCH
Ming Ming Zou	10/31/13			
CHECKED BY:	DATE	FINISH	MODLE	MICRO SWITCH
Ning Ning Su	10/31/13			
APPROVED BY:	DATE	SCALE	DWG NO.	GD-LXW-3-6-5C-AP
Jia Xiang	10/31/13	1:1		
SHEET NO.	1 of 1	PART NO.		
				SIZE A4
				VER R