

# 防倾倒开关

- 特点**
- 外型美观, 结构紧凑, 具有快速动作和高灵敏度的特点。
  - 长寿命, 高可靠。
  - 接线端子种类齐全;

**- 应用**

适用于暖风机 | 电风扇 | 空气净化器及电热油汀等家用电器以及其它的电器

- Features**
- Tight configuration, small contact gap, snap action
  - Long life, high reliability.
  - Variety of terminals.
  - Variety of levers.

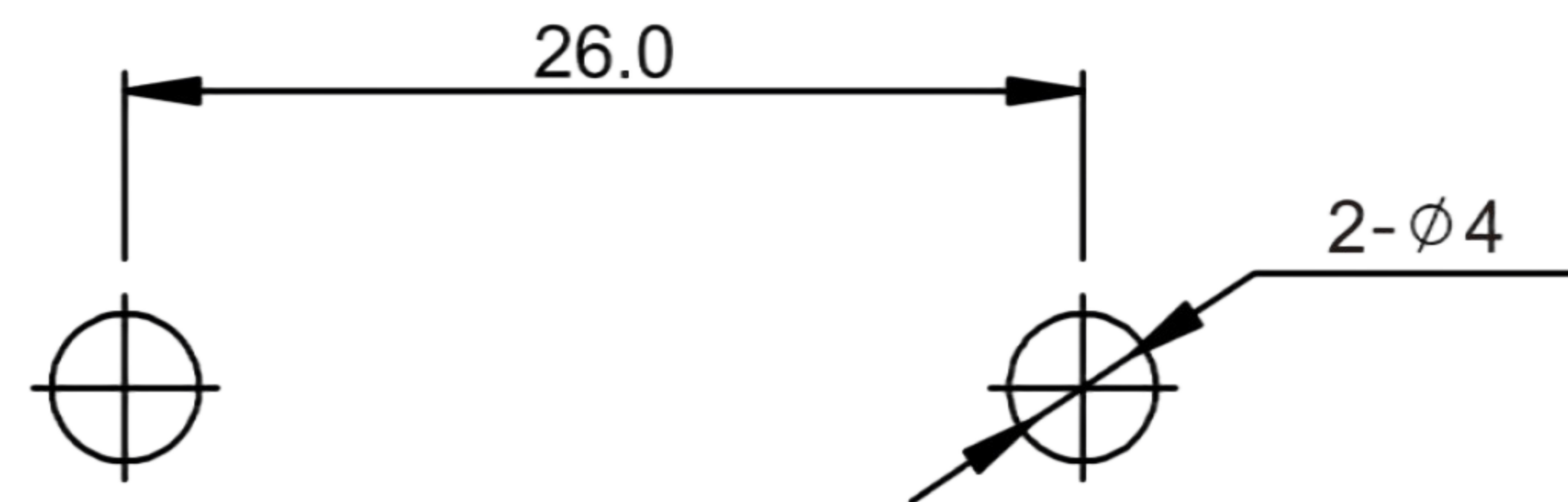
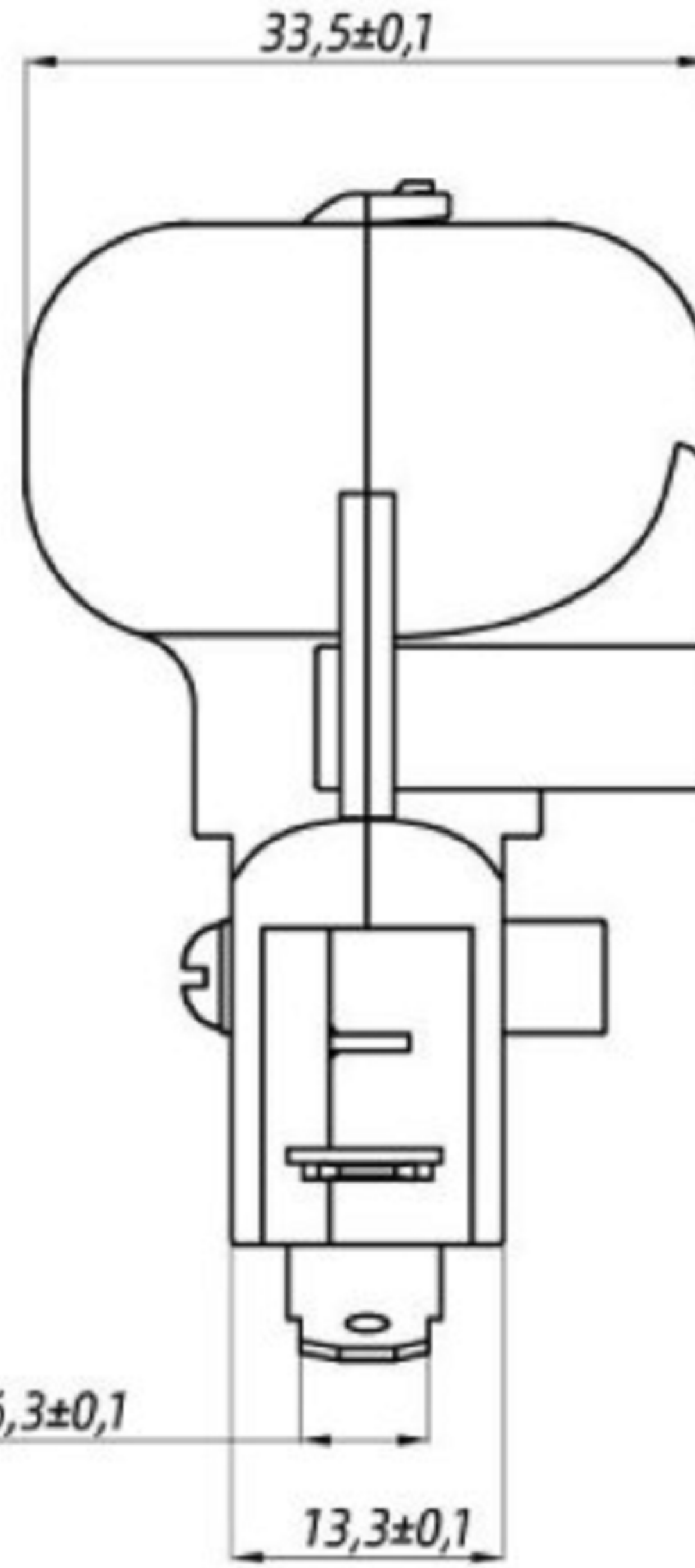
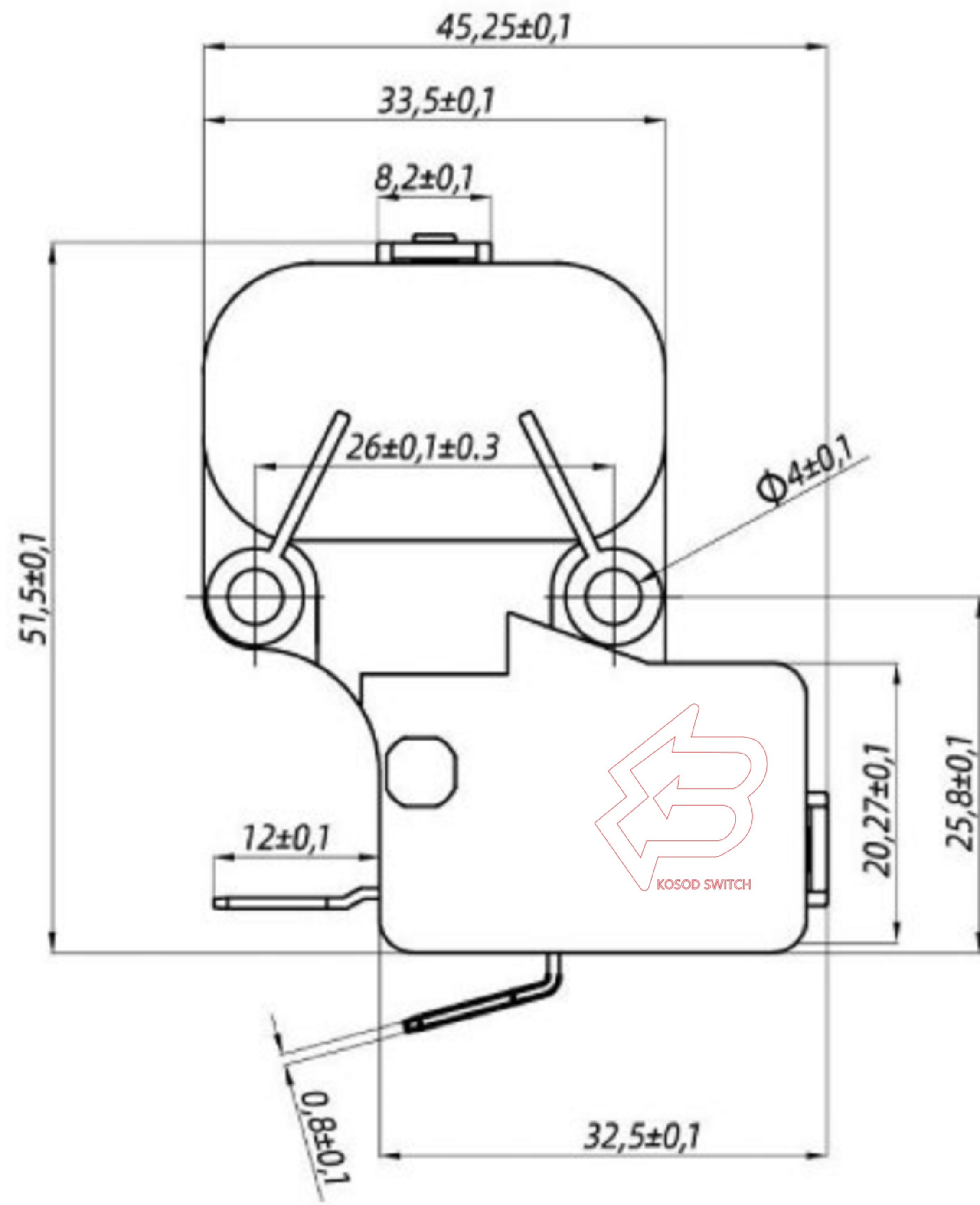
**Application**

Apply to Electric warmer | Electrical air cleaner fan home appliances electron equipment.

- 工作原理**
- 当主机正常时, 防倾倒开关内的球体在重力的作用下, 落入腔道内压入压片, 而压片则压下微动开关的按键, 防倾倒开关瞬间接通电源或电路。当主机倾斜或跌落时, 防倾倒开关内的球体在其重力作用下随壳体一起倾斜位移, 由于球体的脱落而使压片恢复复位, 微动开关瞬间断开, 达到切断电源或电路的目的。

**Working Principles**

Working principle: AS the main body is standing, Fall-Protective switch's sphere with its gravity is on the lever of switch so that Micro switch can work with load. When the main body is inclining Fall-Protective switch's sphere with its gravity will off the lever of switch and Micro switch can't work without load.



项目   Item	特性值   Value
倾倒保护 Fall-Protect	1, 动作角度:40°-55°, 复位角度: >15°, 误差角度为±5° 40°≤Angle≤55°, action angle difference is ±5° 2, 动作角度:20°-40°, 复位角度: >5°, 误差角度为±5° 20°≤Angle≤40°, action angle difference is ±5°
绝缘电阻 Insulation resistance	≥100MΩ ( 500VDC )
接触电阻 Contact resistance	1, ≤50mΩ (初始值) (Linitial value) 2, ≤10mΩ 触点镀金
耐电压 Test voltage	同极不相接端子间 Between terminals of the same polarity
	带电金属零件与地(外壳)之间、接线端与不带电金属零件之间 Between current-carrying metal parts and ground(case),and between each terminal and non-current-carrying metal parts.
抗振动 Vibration resistance	10-55Hz, 1.5mm 双振幅 Double amplitude
跌落试验 Skock resistance	从200mm高, 自由跌落在水泥地、石或钢板等坚固的水平面上, 分别作上、下、左、右、前、后各落一次。 Let switch fall freely from 200mm high into the cement floor or armor plate horizontal.One time,one side (Up, down, left, right, front, back).
寿命 Life expectancy	机械≥100000次; Mechanical≥100000 cycles
	电气 Electrical

东莞市高迪电子有限公司  
DONG GUAN GAO DI ELECTRONICS CO., LTD

TOLERANCE UNLESS OTHERWISE STATED: Up to 5 ±0.2  
Above 5 ~ 15 ±0.3  
Above 15 ~ 30 ±0.4  
Above 30 ~ 50 ±0.5  
Angle ±0.3°

3RD. ANGEL'S

UNITS MM

DRAWN BY: Ming Ming Zou	DATE 10/31/13	MAT'L	TITLE SWITCH
CHECKED BY: Ning Ning Su	DATE 10/31/13	FINISH	MODLE MICRO SWITCH
APPROVED BY: Jia Xiang	DATE 10/31/13	SCALE 1:1	DWG NO. GD-LXW-3-6-4A-AS
SHEET NO. 1 of 1		PART NO.	SIZE A4 VER R