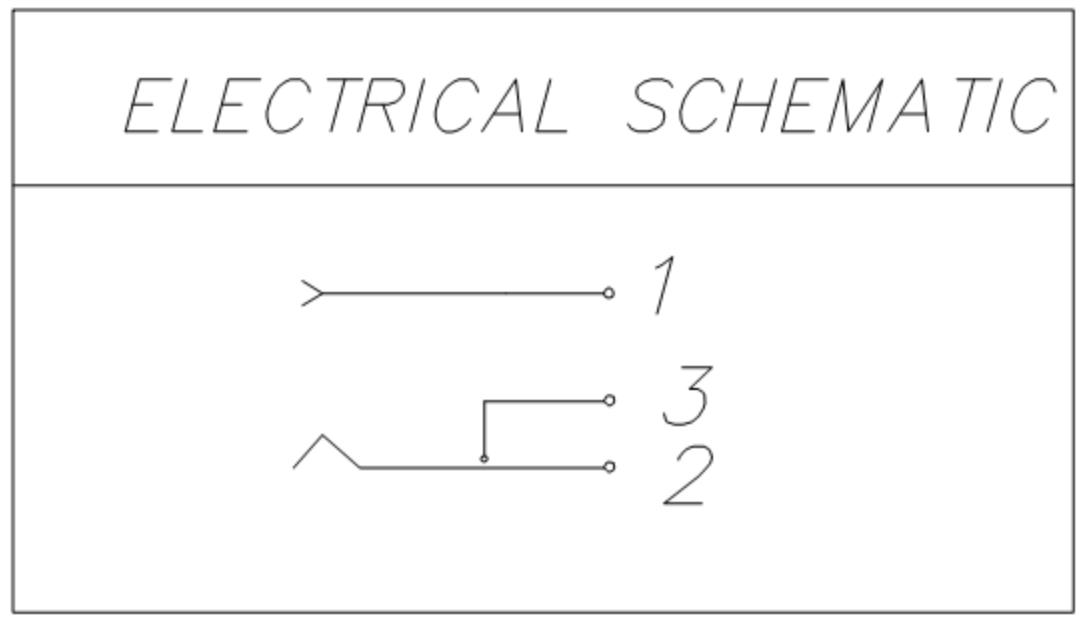
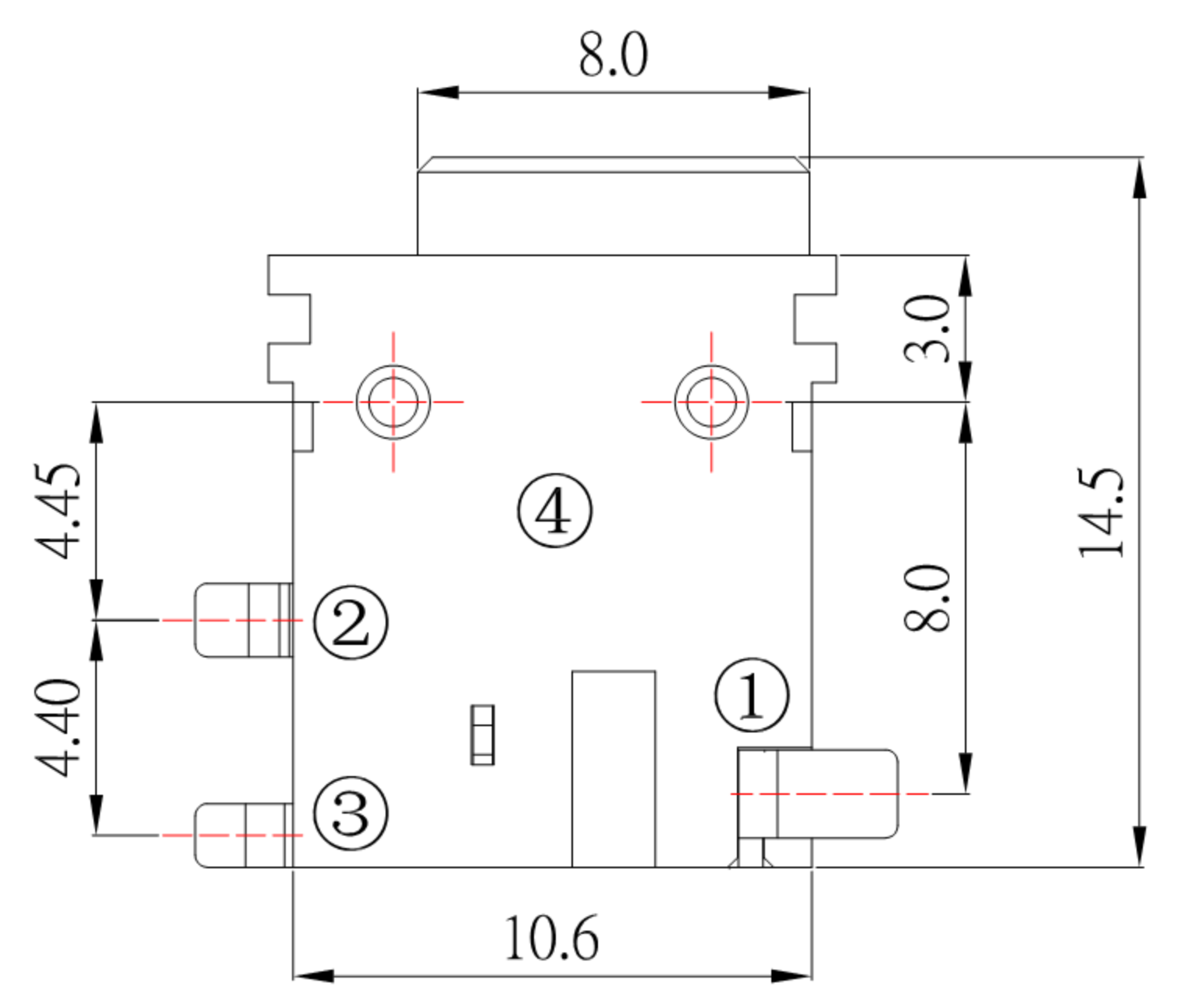
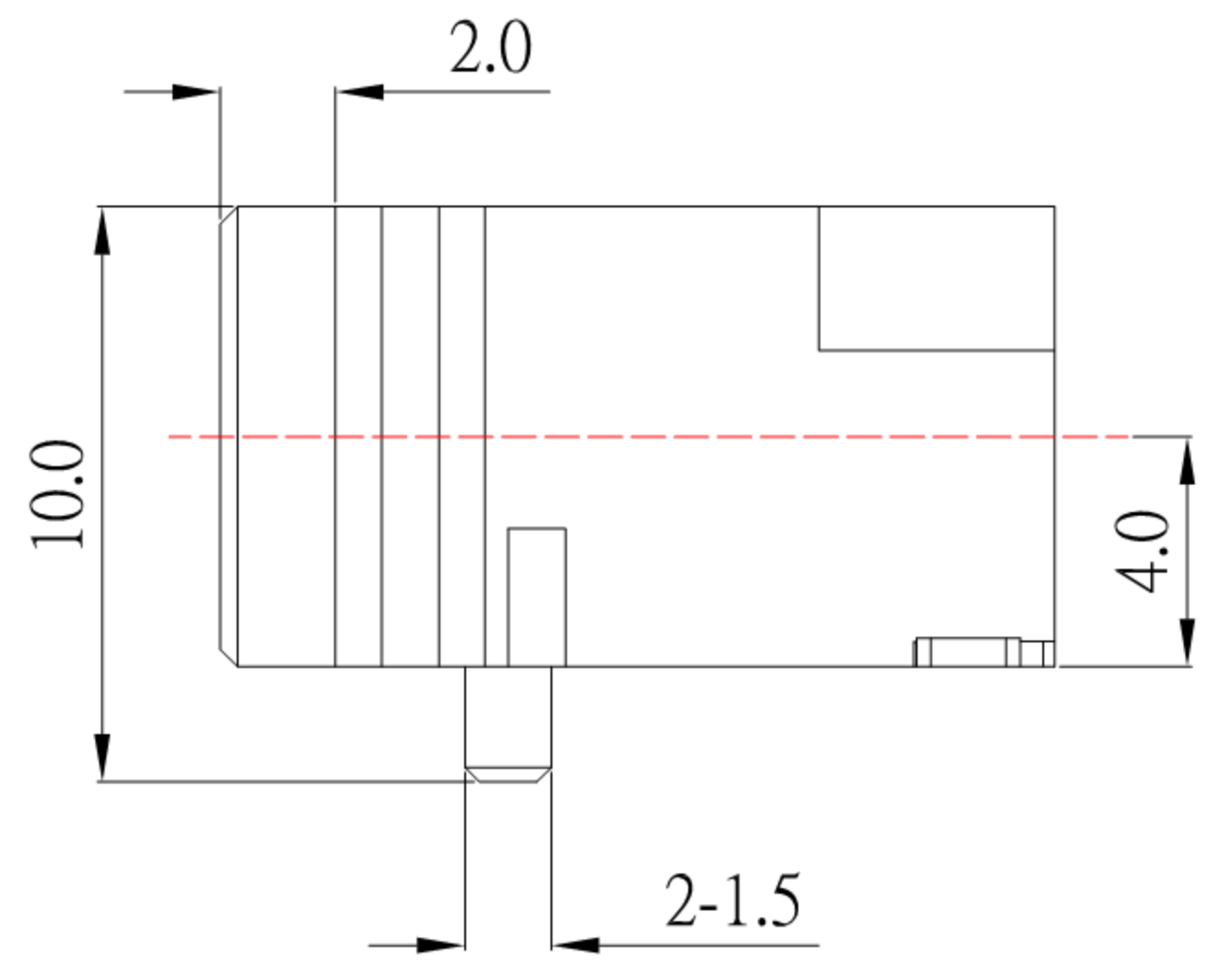
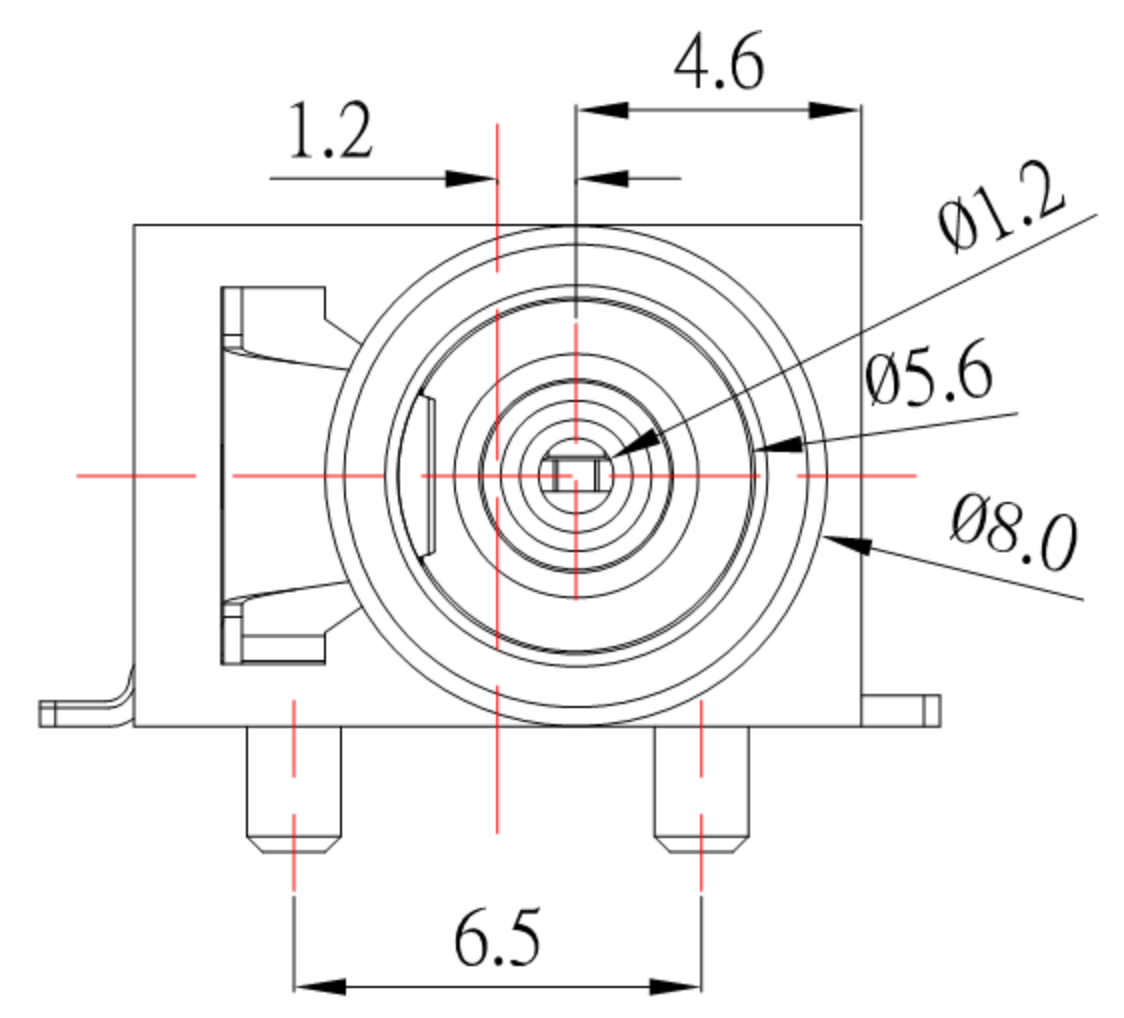
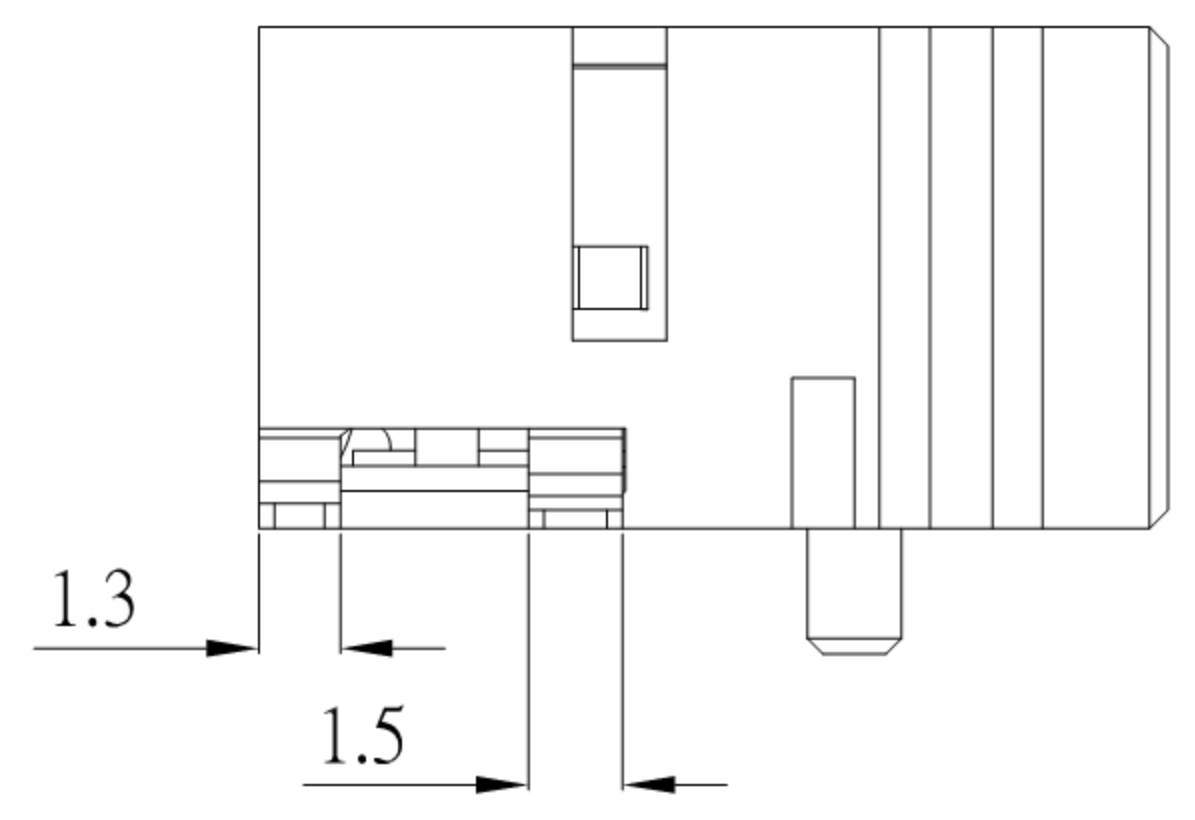


P.C.B LAYOUT
TOP VIEW



SPECIFICATION

- 1.Rating : DC 20V , 4.0A
- 2.Contact resistance : $\leq 30m\Omega$
- 3.Insulation resistance : $\geq 100M\Omega$
- 4.Withstand voltage : 500VAC
- 5.Insertion and extraction force : 3-30N
- 6.life test : 5,000 cycles

NO.	DESCRIPTION	QTY	MATERIAL	PLATING
4	HOUSING	1	PA9T (BLACK)	
3	SPRING SHUNT	1	BRASS	Ag-Plating
2	CONTACT PIN	1	PBS	Ag-Plating
1	PIN TERMINAL	1	BRASS	Ag-Plating

东莞市高迪电子有限公司
Dong Guan KDRR Electronic Switch Jack Co., Ltd.

TOLERANCE UNLESS OTHERWISE STATED :
 Up to 5 ±0.2
 Above 5 ~ 15 ±0.3
 Above 15 ~ 30 ±0.4
 Above 30 ~ 50 ±0.5
 Angle ±0.3°

3RD. ANGEL'S

UNITS MM

DRAWN BY:	DATE	MAT'L	TITLE	JACK
Jack Lu	09/05/18			
CHECKED BY:	DATE	FINISH	MODLE	DC JACK SMT TYPE
Jacky Chen	09/05/18			
APPROVED BY:	DATE	SCALE	DWG NO.	DC-S800-1.2-S214
Tony Kao	09/05/18	1 : 1	PART NO.	DC-S800-1.2-S214
		SHEET NO.	1 of 1	

ITEM NO.	DESCRIPTION	DRAWN	DATE