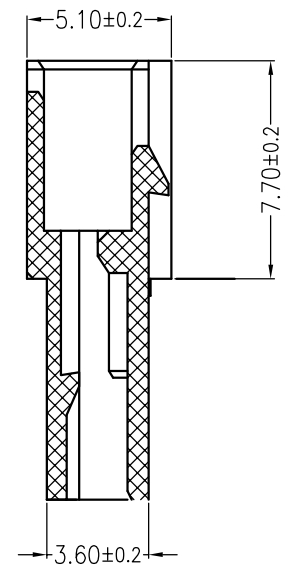
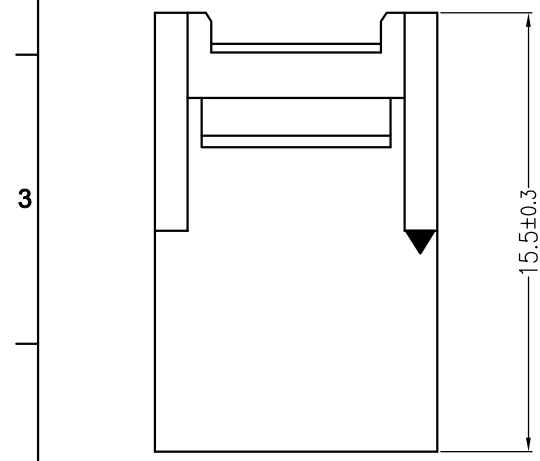
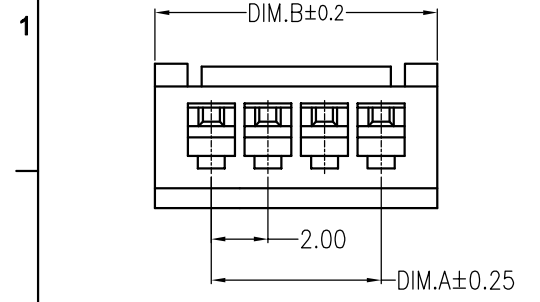


REV	ECN No.	DESCRIPTION	DESIGN	DATE
A0		Release	吴丹平	2017.05.31



主要技术参数 Main Specifications

- 线 数 (Poles): 02 to 16
- 接触电阻 (Contact resistance): $\leq 20m\Omega$
- 绝缘电阻 (Insulation resistance): $\geq 1000M\Omega$
- 额定电压 (Rated voltage): 250V AC DC
- 额定电流 (Rated current): 2.0A AC DC
- 耐 电 压 (Withstand Voltage): 1000V AC/minute
- 温度范围 (Temperature Range): $-25^{\circ}C \sim +85^{\circ}C$

ORDER INFORMATION:

C2003R--A5W-P**

PART No. _____	PACKAGING: _____
No. OF CIRCUITS: _____	P=PE
**	PLASTIC MATERIAL: _____
	A5W=PA66 (WHITE)

Circuits	Dimensions (mm)	
	A	B
02	2.00	6.00
03	4.00	8.00
04	6.00	10.0
05	8.00	12.0
06	10.00	14.0
07	12.00	16.0
08	14.00	18.0
09	16.00	20.0
10	18.00	22.0
11	20.00	24.0
12	22.00	26.0
13	24.00	28.0
14	26.00	30.0
15	28.00	32.0
16	30.00	34.0

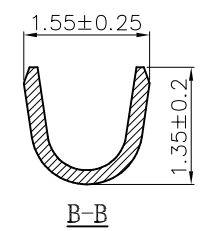
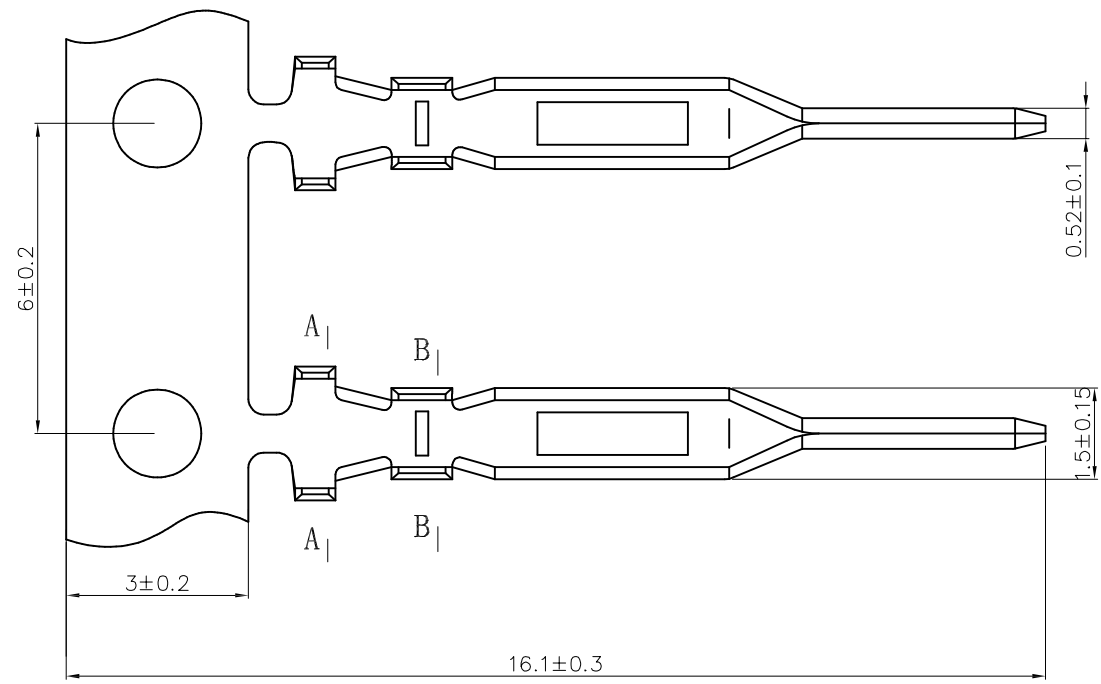
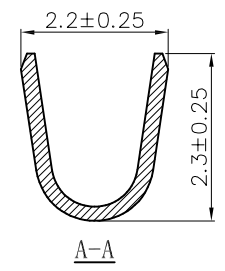
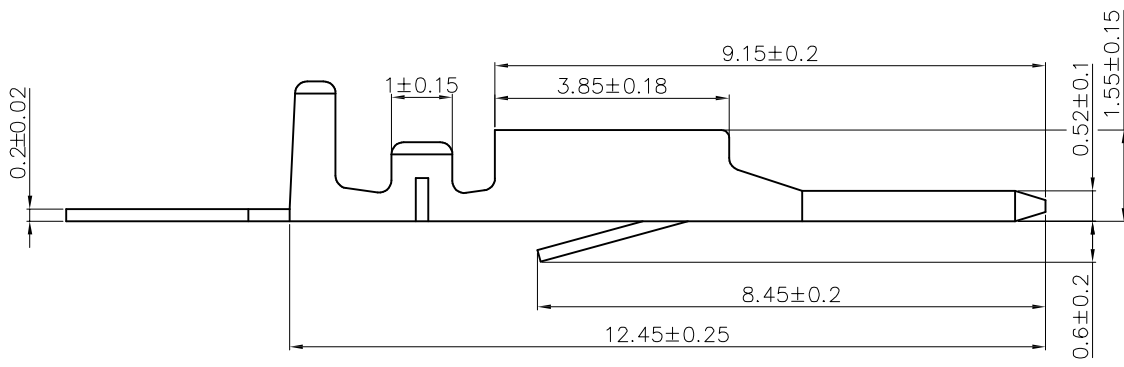
ITEM	COMPONENT	Q'TY	MATERIAL	FINISH
C				
B				
A	PEDESTAL	1 PCS	PA66	COLOR:WHITE

东莞市高迪电子有限公司 DONG GUAN GAO DI ELECTRONICS CO., LTD		TITLE: 2.0mmPITCH Housing	
X.±0.5 .X±0.3 .XX±0.25 -- 	X.±5' .X±2' .XX±1' --	USE: CUSTOMER APPD: 邵敬和 CHKD: 田 峰 DR: 吴丹平	PART NO.: C2003R-**-A5W-P DWG NO.: GCCP-0628 SCALE 1 : 1 SHEET 1 / 1

5

5

REV	ECN No.	DESCRIPTION	DESIGN	DATE
A0		Release	吴丹平	2017.05.31



Ordering Information & Specification:

Part No	Wire Range	Insulation O.D.	Material	Finish	Qty/Reel
C2003RT-PA	AWG #22~#28	1.0~1.50mm	Phosphor bronze	Sn-plated	

東莞市高迪電子有限公司 DONG GUAN GAO DI ELECTRONICS CO., LTD			TITLE: C2003RT	
X.±0.5	X.±5'	USE: CUSTOMER	PART NO.: C2003RT-PA	
.X±0.3	.X±2'		DWG NO.: GCDZ-0054	
.XX±0.25	.XX±1'	APPD: 邵敬和	SCALE 1 : 1	
--	--	CHKD: 田峰	SHEET 1 / 1	
UNITS: mm		DR: 吴丹平		