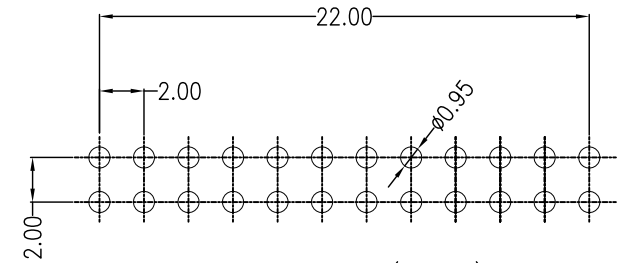
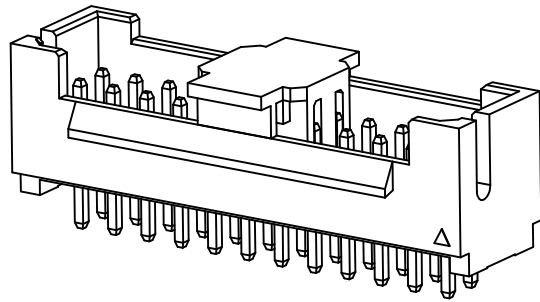
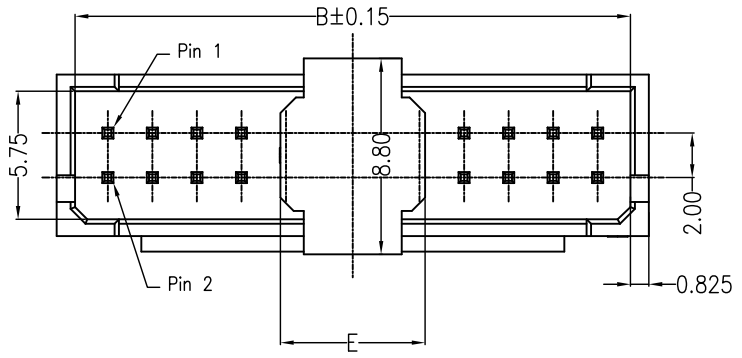
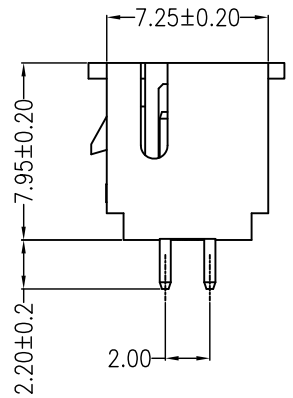
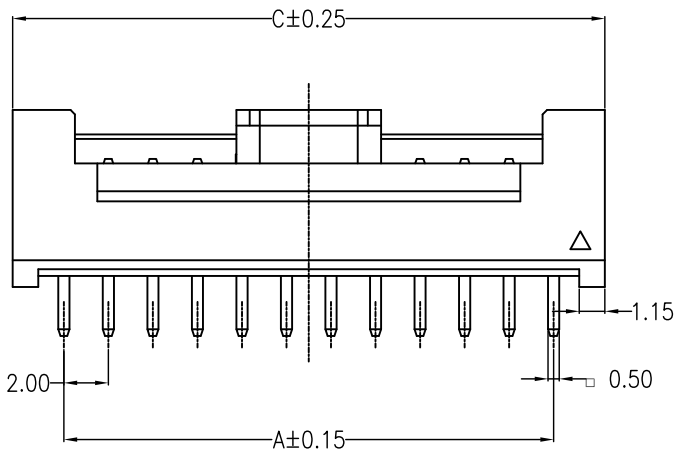


REV	DESCRIPTION	DESIGN	DATE
A	NEW RELEASE	Lingqing	2020/12/03



RECOMMENDED PCB LAYOUT(TOP VIEW)  
TOLERANCE:±0.05mm

**Specifications:**  
 Contact resistance: ≤30mΩ  
 Insulation resistance: ≥1000MΩ  
 Rated voltage: 250V AC DC  
 Rated current: 3.0A AC DC  
 Withstand Voltage: 1000V AC/minute  
 Temperature Range: -25°C ~ +85°C  
 Housing: LCP UL94V-0, Natural  
 Cap: LCP UL94V-0, Natural  
 Contacts: Brass Sn-plated

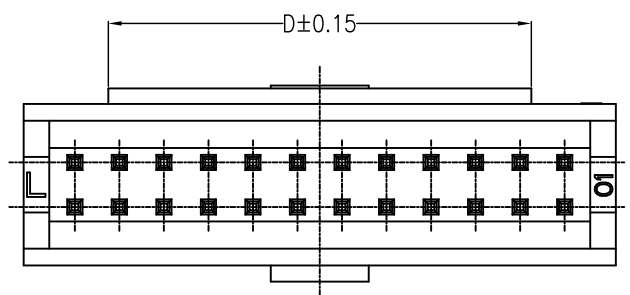


**ORDER INFORMATION:**  
**T2004A-2\*\*-F1CA2-R-X**

PART No. \_\_\_\_\_  
 No.OF CIRCUITS: \_\_\_\_\_  
 2\*2~2\*12 \_\_\_\_\_  
 PLASTIC MATERIAL: \_\_\_\_\_  
 F1C=LCP(Natural) \_\_\_\_\_

Special code \_\_\_\_\_  
 X=Cap \_\_\_\_\_  
 PACKAGING: \_\_\_\_\_  
 R=REEL \_\_\_\_\_  
 Metal code: \_\_\_\_\_  
 2=Brass \_\_\_\_\_  
 PLATING: \_\_\_\_\_  
 A=Sn-plated \_\_\_\_\_

Circuits	Dimensions (mm)				
	A	B	C	D	E
202 (2X2)	2.00	4.95	6.60	3.00	小座(4.5)
203 (2X3)	4.00	6.95	8.60	3.00	大座(6.5)
204 (2X4)	6.00	8.95	10.60	3.00	
205 (2X5)	8.00	10.95	12.60	5.00	
206 (2X6)	10.00	12.95	14.60	7.00	
207 (2X7)	12.00	14.95	16.60	9.00	
208 (2X8)	14.00	16.95	18.60	11.00	
209 (2X9)	16.00	18.95	20.60	13.00	
210 (2X10)	18.00	20.95	22.60	15.00	
211 (2X11)	20.00	22.95	24.60	17.00	
212 (2X12)	22.00	24.95	26.60	19.00	
213 (2X13)	24.00	26.95	28.60	21.00	
214 (2X14)	26.00	28.95	30.60	23.00	
215 (2X15)	28.00	30.95	32.60	25.00	
216 (2X16)	30.00	32.95	34.60	27.00	



**東莞市高迪電子有限公司**  
DONG GUAN GAO DI ELECTRONICS CO., LTD

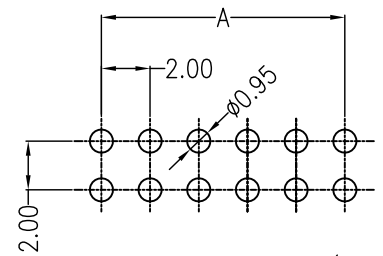
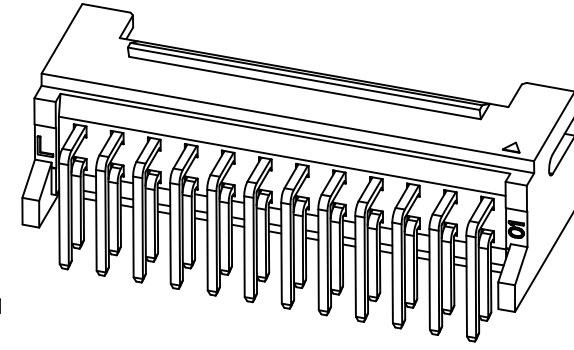
TITLE:  
2.0mm pitch 180°Wafe DIP type

GENERAL TOLERANCE		USE:	PART NO.:	
X. ±0.50	X. ±5°	CUSTOMER	T2004A-2**-F1CA2-R-X	
X.X ±0.30	X.X ±2°	APPD:	DWG NO.:	
X.XX ±0.20	X.XX ±1°	WangFeng	GCKH-0904	
UNITS: mm		CHKD:	SCALE	
		Shaojinghe	1 : 1	
		DR:	SHEET	
		Zenglingqing	1 / 1	

REV	DESCRIPTION	DESIGN	DATE
A	NEW RELEASE	Lingqing	2020/12/03

**Specifications:**

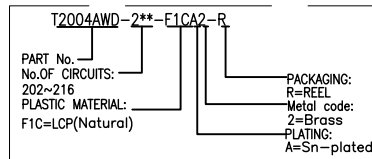
Contact resistance: ≤30mΩ  
 Insulation resistance: ≥1000MΩ  
 Rated voltage: 250V AC DC  
 Rated current: 3.0A AC DC  
 Withstand Voltage: 1000V AC/minute  
 Temperature Range: -25°C ~ +85°C  
 Housing: LCP UL94V-0, Natural  
 Contacts: Brass Sn-plated



RECOMMENDED PCB LAYOUT(TOP VIEW)  
 TOLERANCE: ±0.05mm

Circuits	Dimensions (mm)			
	A	B	C	D
202 (2X2)	2.00	4.95	6.60	3.00
203 (2X3)	4.00	6.95	8.60	3.00
204 (2X4)	6.00	8.95	10.60	3.00
205 (2X5)	8.00	10.95	12.60	5.00
206 (2X6)	10.00	12.95	14.60	7.00
207 (2X7)	12.00	14.95	16.60	9.00
208 (2X8)	14.00	16.95	18.60	11.00
209 (2X9)	16.00	18.95	20.60	13.00
210 (2X10)	18.00	20.95	22.60	15.00
211 (2X11)	20.00	22.95	24.60	17.00
212 (2X12)	22.00	24.95	26.60	19.00
213 (2X13)	24.00	26.95	28.60	21.00
214 (2X14)	26.00	28.95	30.60	23.00
215 (2X15)	28.00	30.95	32.60	25.00
216 (2X16)	30.00	32.95	34.60	27.00

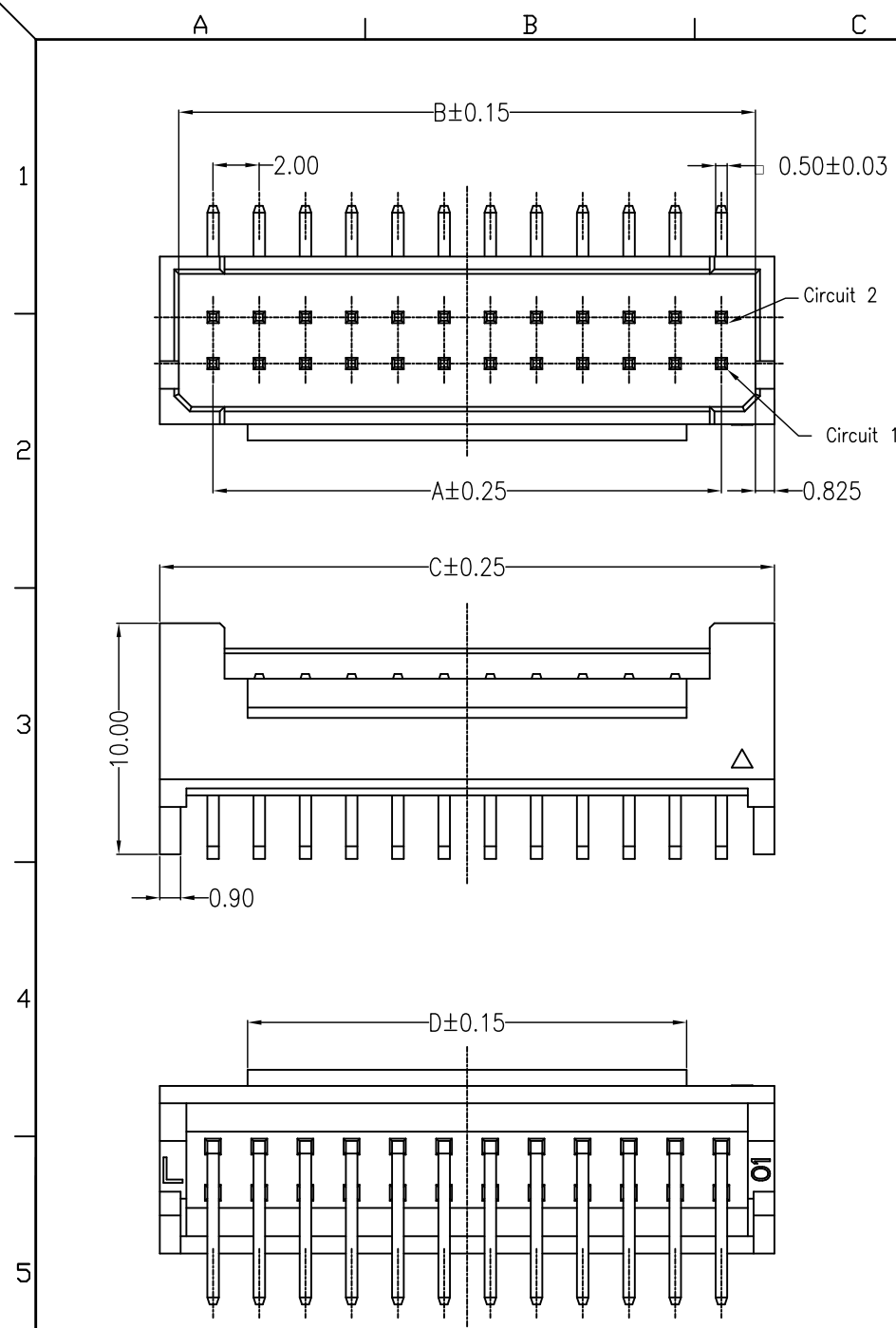
**ORDER INFORMATION:**



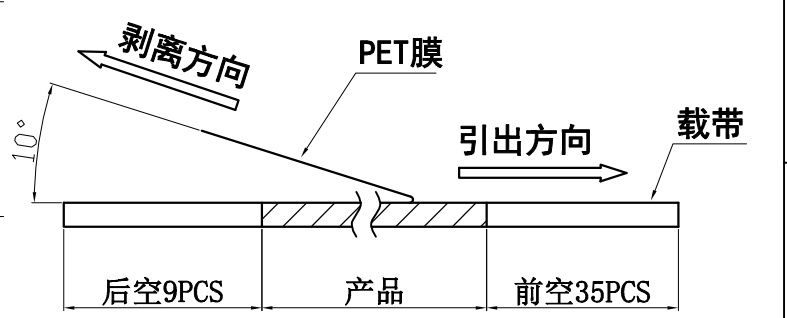
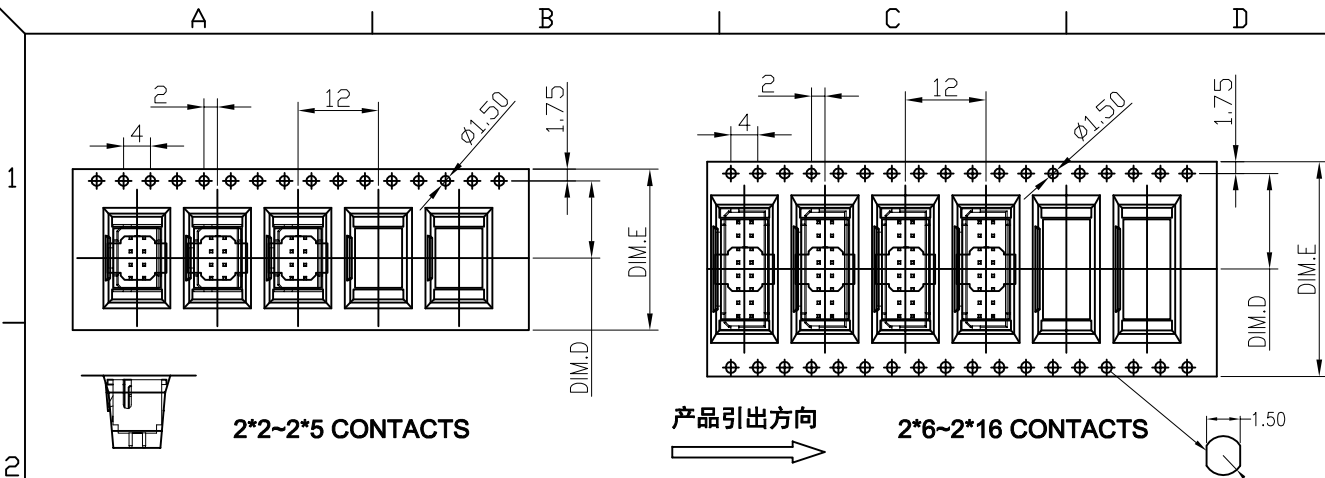
**東莞市高迪電子有限公司**  
**DONG GUAN GAO DI ELECTRONICS CO., LTD**

TITLE: 2.0mm pitch 90°Wafe PIP type

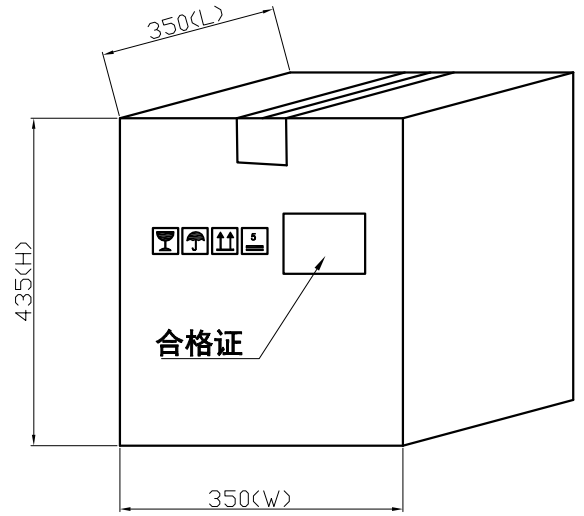
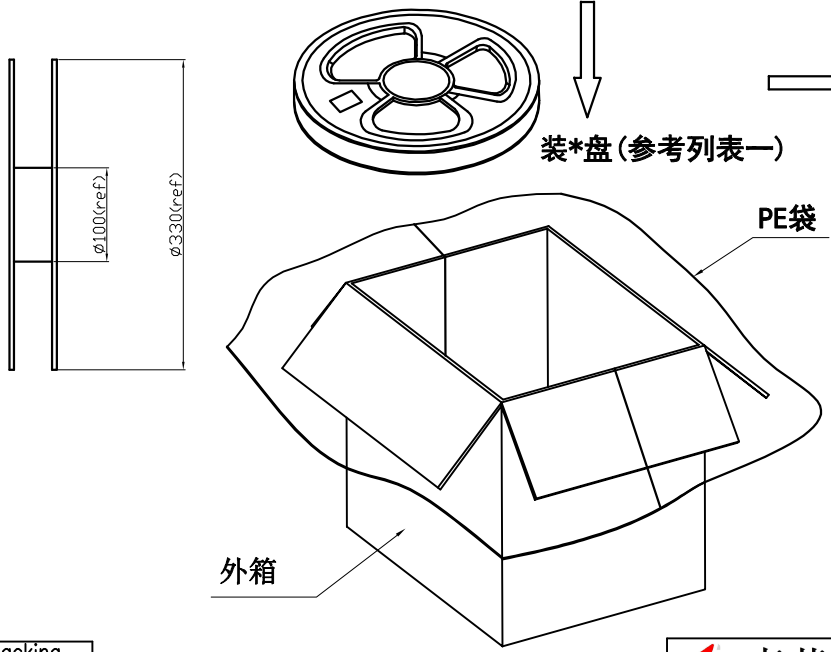
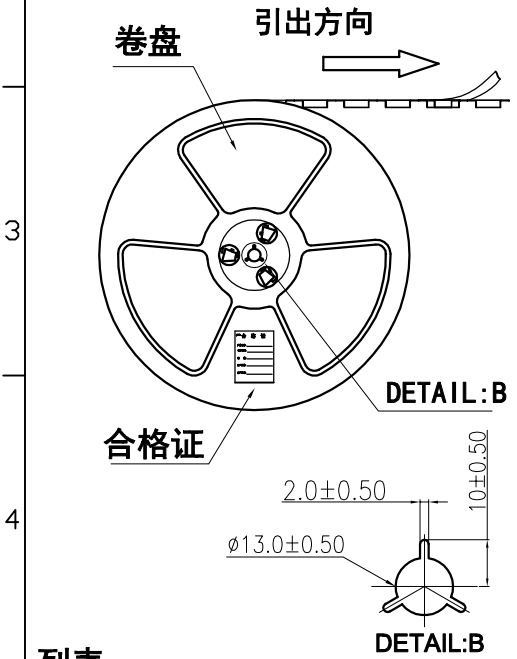
GENERAL TOLERANCE		USE: CUSTOMER	PART NO.:
X. ±0.50	X. ±5'	APPD: WangFeng	T2004AWD-2**-F1CA2-R
X.X ±0.30	X.X ±2'	CHKD: Shaojinghe	DWG NO.:
X.XX ±0.20	X.XX ±1'	DR: Zenglingqing	GCKH-0905
UNITS: mm		SCALE: 1:1	SHEET: 1/1



REV	ECN No.	DESCRIPTION	DESIGN	DATE
A		Release	程永海	2023.05.09



(PET膜剥离示意图)



列表一

Circuits	DIM. D	DIM. E	Q'ty/Reel	Packing (Reel/Caton)
2*2 PIN	7.5	16	500PCS	20/Reel
2*3~2*5 PIN	11.5	24	500PCS	15/Reel
2*6~2*8 PIN	14.25	32	500PCS	11/Reel
2*9~2*14 PIN	20.2	44	500PCS	8/Reel
2*15~2*16 PIN	26.2	56	500PCS	7/Reel

包装说明:

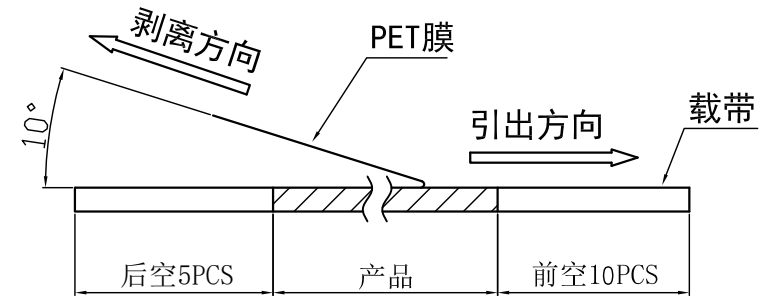
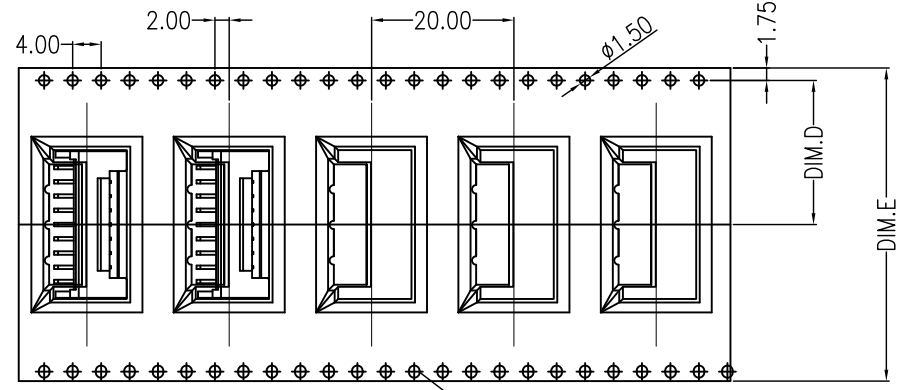
- 把成品包入卷盘中, 每盘装500PCS, 卷盘上贴上合格证, 将装好产品的卷盘放进外箱中, 外箱内先套一个大PE袋, 外箱上贴贴上合格证.
- 所有材料有害物控制需符合RoHS标准.

东莞市高迪电子有限公司  
DONG GUAN GAO DI ELECTRONICS CO., LTD

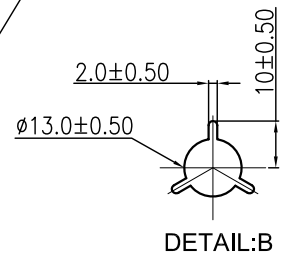
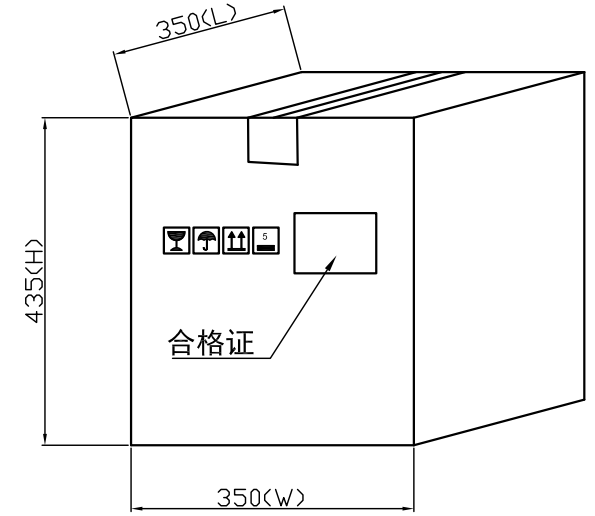
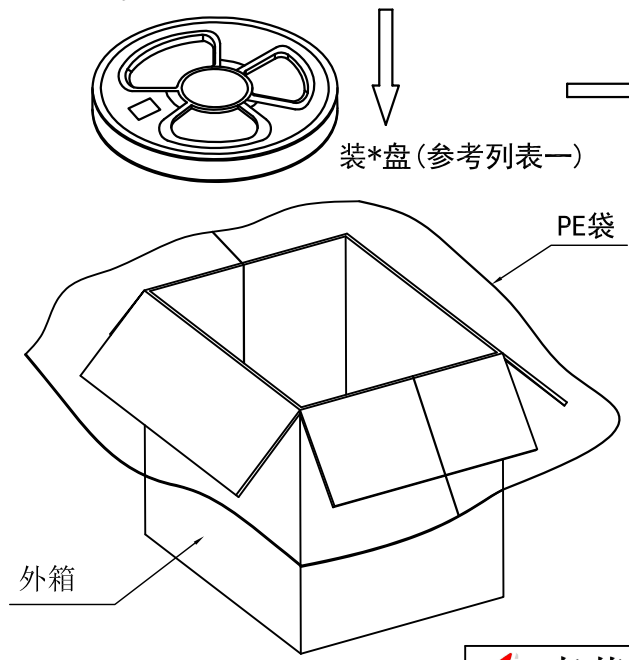
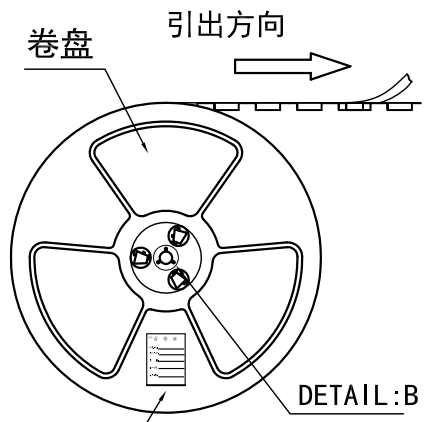
X.± 0.5	X.±'	USE: MANUFACTURE
.X± 0.3	.X±'	APPD: 朱志刚
.XX±0.25	.XX±'	CHKD: 蒋建银
--	--	DR: 程永海
	UNITS: mm	

TITLE: T2004A
PART NO.: T2004A包装规范
DWG NO.: GCKH-0904
SCALE: 1 : 1
SHEET: 1 / 1

REV	ECN No.	DESCRIPTION	DESIGN	DATE
A		Release	程永海	2022.09.05



(PET膜剥离示意图)



- 包装说明:
- 把成品包入卷盘中, 每盘装300PCS, 卷盘上贴上合格证, 将装好产品的卷盘放进外箱中, 外箱内先套一个大PE袋, 外箱上贴贴上合格证.
  - 所有材料有害物控制需符合RoHS标准.

列表一

Circuits	DIM. D	DIM. E	Q'ty/Reel	Packing (Reel/Caton)
2*9~211 PIN	20.25	44	300PCS	8/Reel

<b>东莞市高迪电子有限公司</b> DONG GUAN GAO DI ELECTRONICS CO., LTD		TITLE: T2004AWD	
X.± 0.5	X.±'	USE: MANUFACTURE	PART NO.: T2004AWD包装规范
.X± 0.3	.X±'	APPD: 邵敬和	DWG NO.: GCKH-0905
.XX±0.25	.XX±'	CHKD: 蒋建银	SCALE: 1 : 1
--	--	DR: 程永海	SHEET: 1 / 1
UNITS: mm			