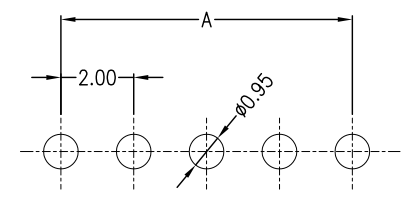
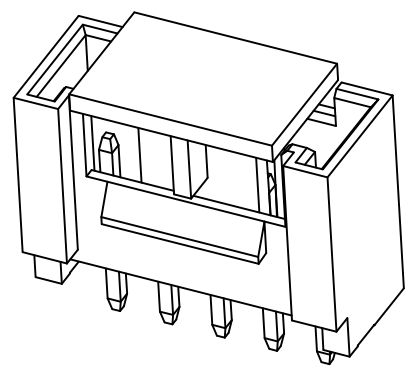
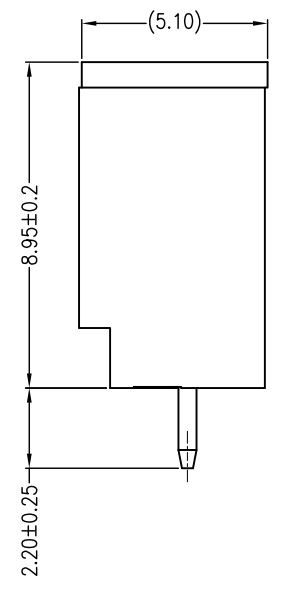
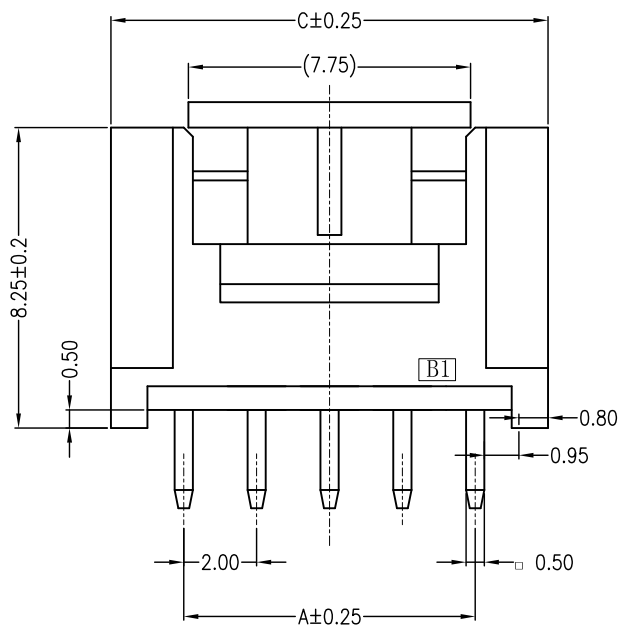
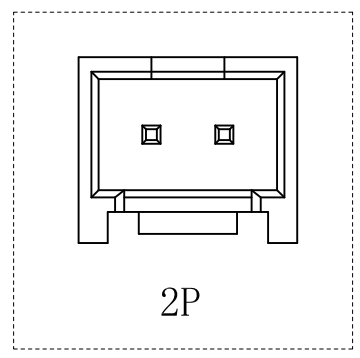
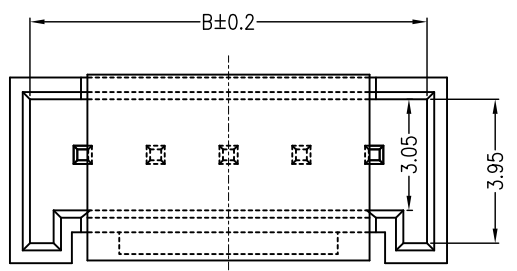


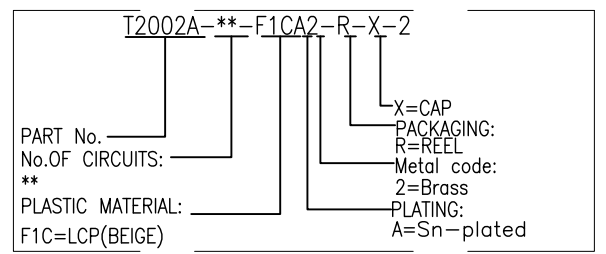
A B C D E F

1  
2  
3  
4  
5



RECOMMENDED PCB LAYOUT(TOP VIEW)  
TOLERANCE:±0.05mm

ORDER INFORMATION:



Circuits	Dimensions (mm)		
	A	B	C
02	2.00	4.90	6.00
03	4.00	6.90	8.00
04	6.00	8.90	10.00
05	8.00	10.90	12.00
06	10.00	12.90	14.00
07	12.00	14.90	16.00
08	14.00	16.90	18.00
09	16.00	18.90	20.00
10	18.00	20.90	22.00
11	20.00	22.90	24.00
12	22.00	24.90	26.00
13	24.00	26.90	28.00
14	26.00	28.90	30.00
15	28.00	30.90	32.00
16	30.00	32.90	34.00

REV	DESCRIPTION	DESIGN	DATE
A	NEW RELEASE	Lingqing	2021/06/02
B	Remove bottom Isolation reinforcement	Lingqing	2022/09/09

Specifications:  
 Contact resistance: ≤20mΩ  
 Insulation resistance: ≥1000MΩ  
 Rated voltage: 250V AC DC  
 Rated current: 2.0A AC DC  
 Withstand voltage: 1000V AC/minute  
 Temperature range: -25°C ~ +105°C  
 Housing: LCP UL94V-0, Natural  
 Cap: LCP UL94V-0, Natural  
 Contacts: Brass/Sn-plated

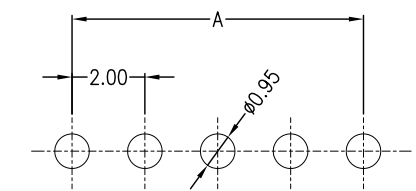
<b>東莞市高迪電子有限公司</b> DONG GUAN GAO DI ELECTRONICS CO., LTD		TITLE: 2.00mm pitch 180°Wafe DIP type	
		PART NO.: T2002A-**-F1CA2-R-X-2	
GENERAL TOLERANCE X. ±0.50 X. ±5° X.X ±0.30 X.X ±2° X.XX ±0.20 X.XX ±1°		USE: CUSTOMER APPD: Shaojinghe CHKD: Fangsongle	
UNITS: mm		DR: Zenglingqing	
		SCALE 1 : 1	SHEET 1 / 1

A B C D E F

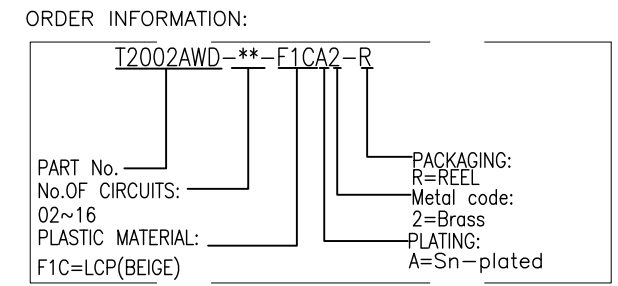
REV	DESCRIPTION	DESIGN	DATE
A	NEW RELEASE	Lingqing	2021/06/02
B	Remove bottom Isolation reinforcement	Lingqing	2022/09/09

**Specifications:**  
 Contact resistance:  $\leq 20m\Omega$   
 Insulation resistance:  $\geq 1000M\Omega$   
 Rated voltage: 250V AC DC  
 Rated current: 2.0A AC DC  
 Withstand voltage: 1000V AC/minute  
 Temperature range:  $-25^{\circ}C \sim +105^{\circ}C$   
 Housing: LCP UL94V-0, Natural  
 Contacts: Brass/Sn-plated

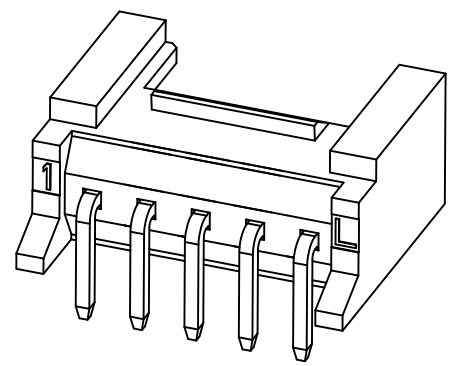
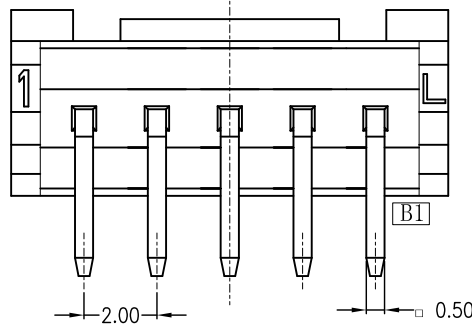
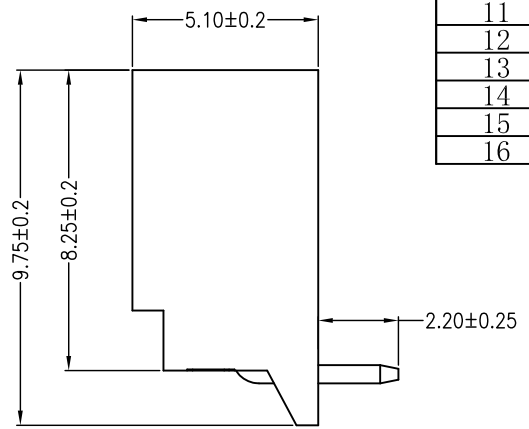
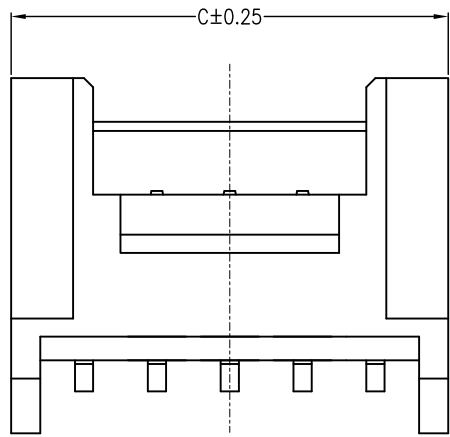
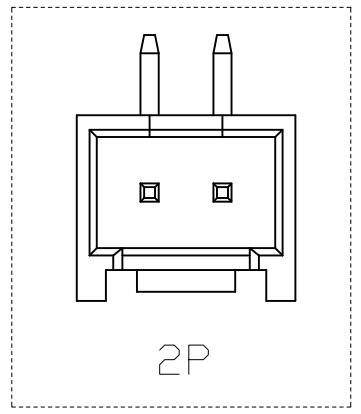
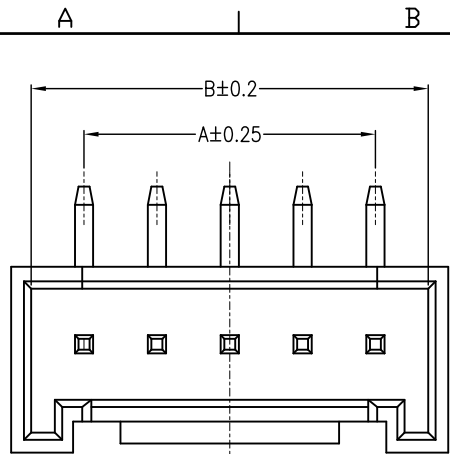
Circuits	Dimensions (mm)		
	A	B	C
02	2.00	4.90	6.00
03	4.00	6.90	8.00
04	6.00	8.90	10.00
05	8.00	10.90	12.00
06	10.00	12.90	14.00
07	12.00	14.90	16.00
08	14.00	16.90	18.00
09	16.00	18.90	20.00
10	18.00	20.90	22.00
11	20.00	22.90	24.00
12	22.00	24.90	26.00
13	24.00	26.90	28.00
14	26.00	28.90	30.00
15	28.00	30.90	32.00
16	30.00	32.90	34.00



RECOMMENDED PCB LAYOUT (TOP VIEW)  
 TOLERANCE:  $\pm 0.05mm$



<b>東莞市高迪電子有限公司</b> DONG GUAN GAO DI ELECTRONICS CO., LTD		TITLE: 2.00mm pitch 90°Wafe DIP type	
		PART NO.: T2002AWD-**-F1CA2-R	
GENERAL TOLERANCE		USE: CUSTOMER	
X. $\pm 0.50$	X. $\pm 5^{\circ}$	APPD: Shaojinghe	
X.X $\pm 0.30$	X.X $\pm 2^{\circ}$	CHKD: Fangsongle	
X.XX $\pm 0.20$	X.XX $\pm 1^{\circ}$	DR: Zenglingqing	
UNITS: mm		SCALE 1 : 1	SHEET 1 / 1



A | B | C | D | E | F

1

2

3

4

5

1

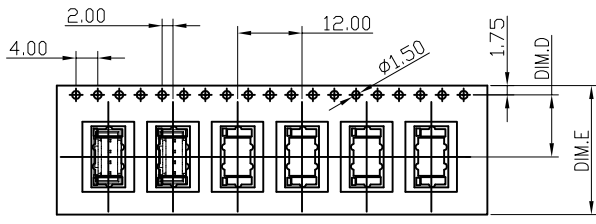
2

3

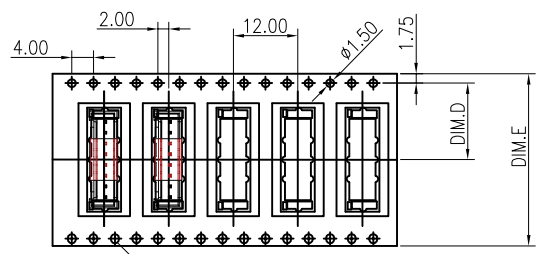
4

5

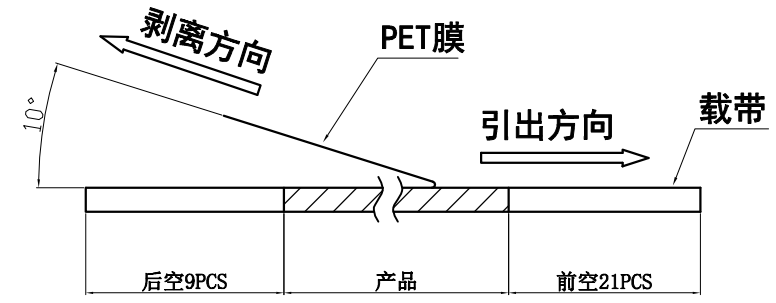
REV	ECN No.	DESCRIPTION	DESIGN	DATE
A		Release	程永海	2022.11.26



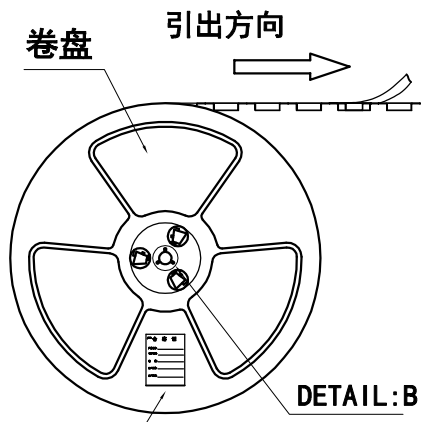
02~06 CONTACTS



07~10、14 CONTACTS

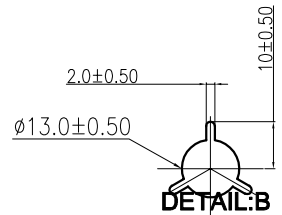


(PET膜剥离示意图)



合格证

DETAIL:B



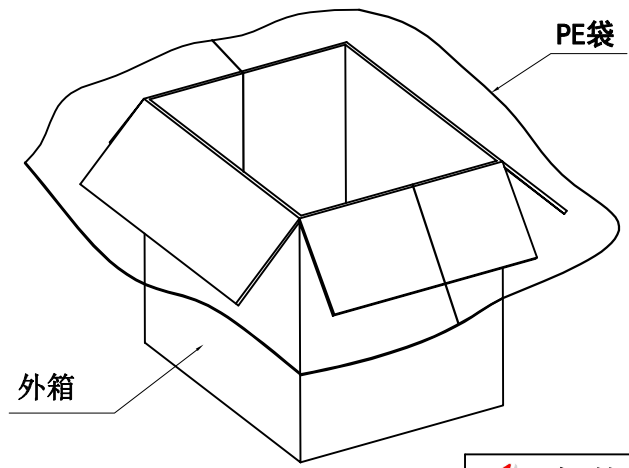
DETAIL:B

列表一

Circuits	DIM. D	DIM. E	Q'ty/Reel	Packing (Reel/Caton)
02-03 PIN	7.5	16	450PCS	20/Reel
04-06 PIN	11.5	24	450PCS	15/Reel
07-08 PIN	14.2	32	450PCS	11/Reel
10、14 PIN	20.2	44	450PCS	8/Reel



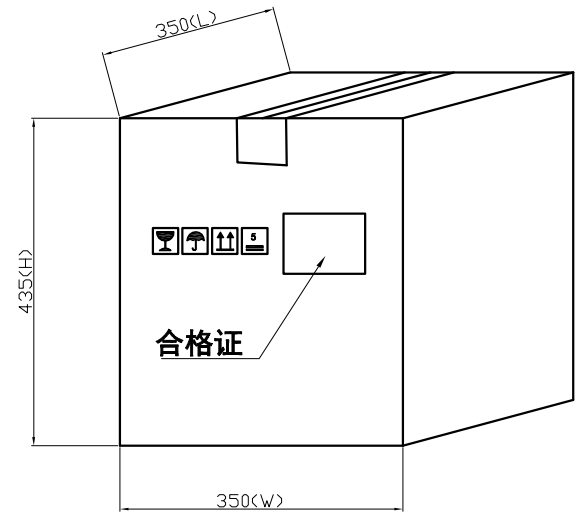
装\*盘(参考列表一)



外箱

PE袋

合格证



包装说明:

- 把成品包入卷盘中, 每盘装450PCS, 卷盘上贴上合格证, 将装好产品的卷盘放进外箱中, 外箱内先套一个大PE袋, 外箱上贴贴上合格证。
- 所有材料有害物控制需符合RoHS标准。

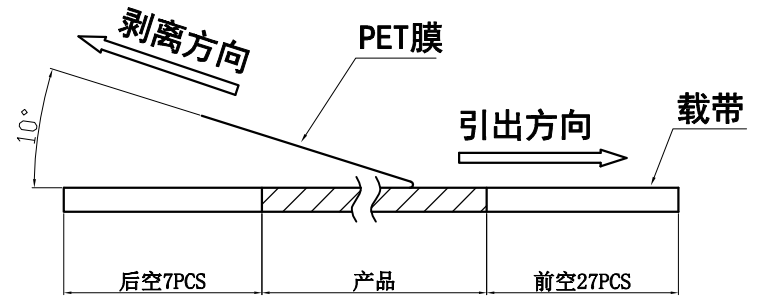
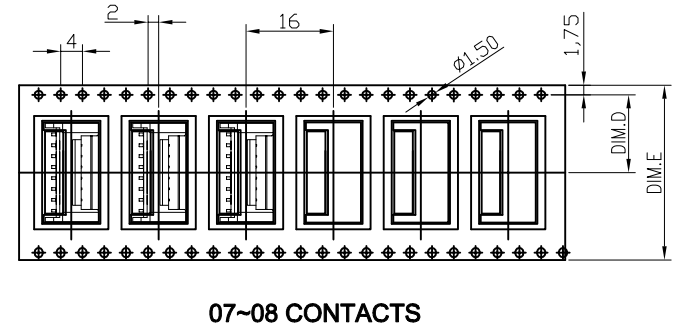
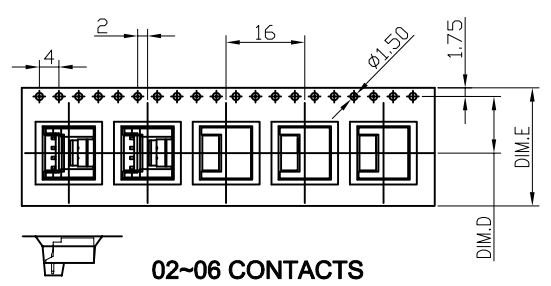
**东莞市高迪电子有限公司**  
DONG GUAN GAO DI ELECTRONICS CO., LTD

X.± 0.5	X.±'	USE:	MANUFACTURE
.X± 0.3	.X±'	APPD:	
.XX±0.25	.XX±'	CHKD:	蒋建银
--	--	DR:	程永海

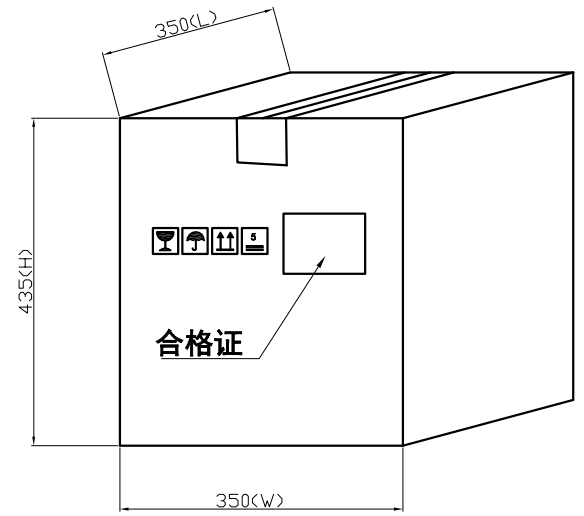
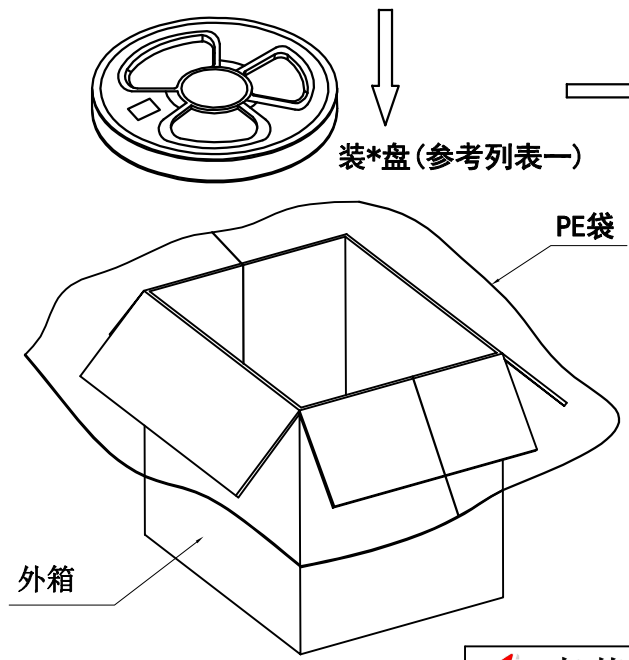
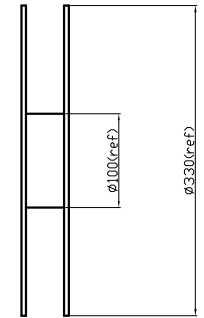
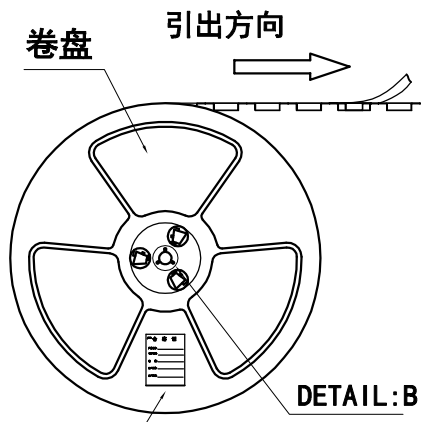
UNITS: mm

TITLE: T2002A	
PART NO.: T2002A包装规范	
DWG NO.: GCKH-0928	
SCALE 1 : 1	SHEET 1 / 1

REV	ECN No.	DESCRIPTION	DESIGN	DATE
A		Release	程永海	2023.05.08



(PET膜剥离示意图)



列表一

Circuits	DIM. D	DIM. E	Q'ty/Reel	Packing (Reel/Caton)
02-03 PIN	7.5	16	500PCS	20/Reel
04-06 PIN	11.5	24	500PCS	15/Reel
07-08 PIN	14.2	32	500PCS	11/Reel

包装说明:

- 把成品包入卷盘中, 每盘装500PCS, 卷盘上贴上合格证, 将装好产品的卷盘放进外箱中, 外箱内先套一个大PE袋, 外箱上贴贴上合格证。
- 所有材料有害物控制需符合RoHS标准。

<b>東莞市高迪電子有限公司</b> DONG GUAN GAO DI ELECTRONICS CO., LTD		TITLE: <b>T2002AWD</b>	
X.± 0.5	X.±'	USE: MANUFACTURE	PART NO.:
.X± 0.3	.X±'		<b>T2002AWD包装规范</b>
.XX±0.25	.XX±'	APPD: <b>朱志刚</b> CHKD: <b>蒋建银</b>	DWG NO.:
--	--	DR: <b>程永海</b>	<b>JKUN-GCKH-0929</b>
UNITS: mm		SCALE	SHEET
		1 : 1	1 / 1