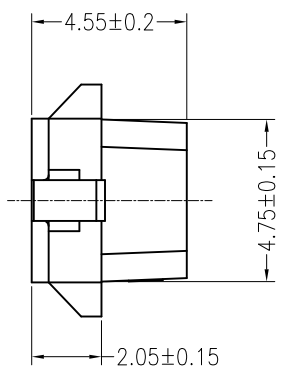
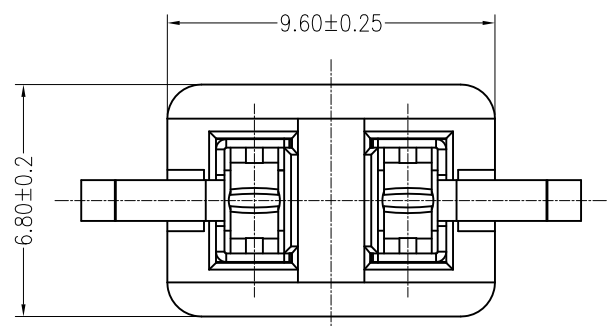
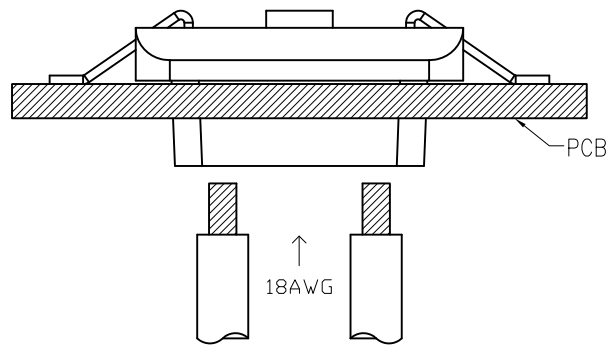
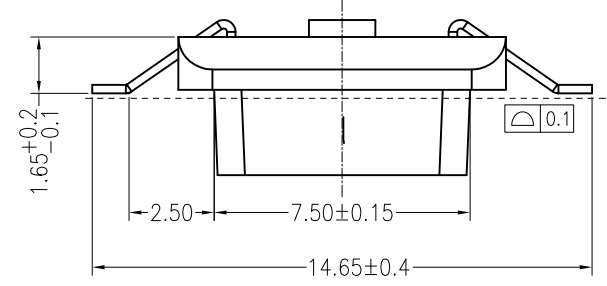
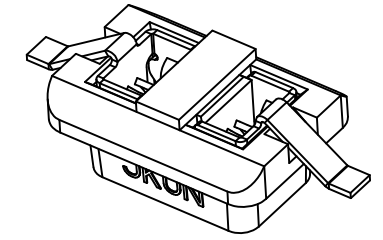


REV	DESCRIPTION	DESIGN	DATE
A0	NEW RELEASE	Lingqing	2019/11/30

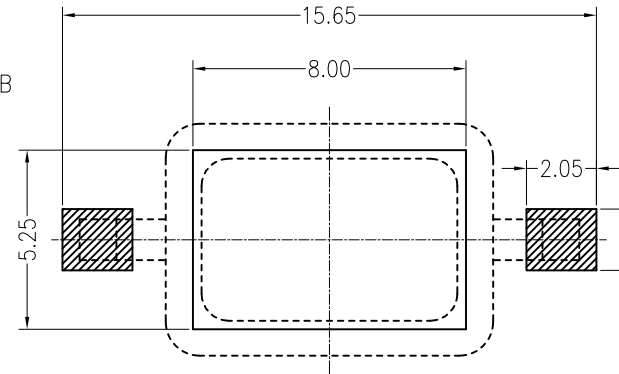


Specifications:

- Contact resistance: ≤20mΩ
- Insulation resistance: ≥1000MΩ
- Rated voltage: 275V AC DC
- Rated current: 2.0A AC DC
- Withstand Voltage: 1000V AC/minute
- Temperature Range: -40°C ~ +120°C
- Housing: LCP UL94V-0, BEIGE
- Contacts: Phosphor bronze/MATTE Sn-plated

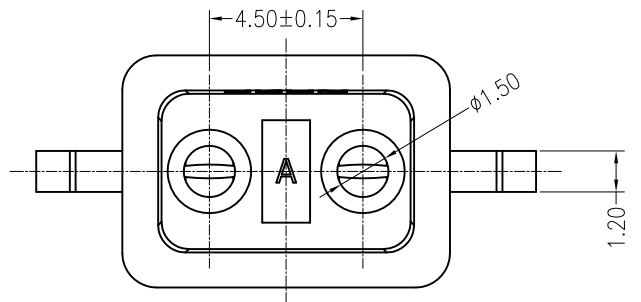


Assembly Layout



Board Layout

General Tolerance: ±0.05



ORDER INFORMATION:

L4501AFV-02-F8MB1-R			
PART No.:		PACKAGING:	R=REEL
No.OF CIRCUITS:	02	Metal code:	1=PhosphorBronze
PLASTIC MATERIAL:	F8M=LCP	PLATING:	B=MATTE Sn

東莞市高迪電子有限公司 DONG GUAN GAO DI ELECTRONICS CO., LTD		TITLE: 4.5Pitch 180°wafer smt type	
		PART NO.: L4501AFV-02-F8MB1-R	
GENERAL TOLERANCE		USE: CUSTOMER	
X. ±0.50	X. ±5'	APPD: Liuzhengling	
X.X ±0.30	X.X ±2'	CHKD: Steven	
X.XX ±0.20	X.XX ±1'	DR: Zenglingqing	
UNITS: mm		SCALE	SHEET
		1 : 1	1 / 1