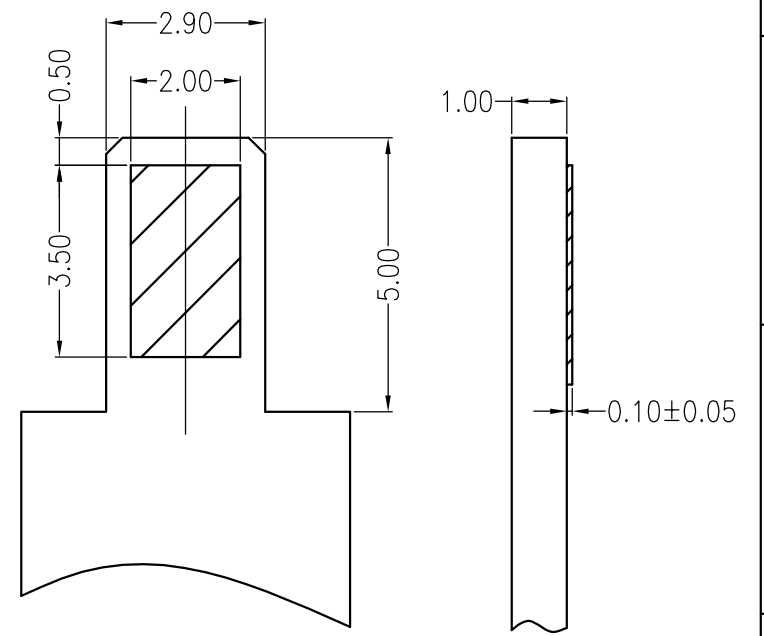
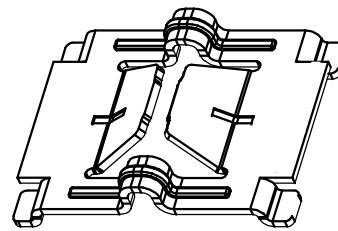
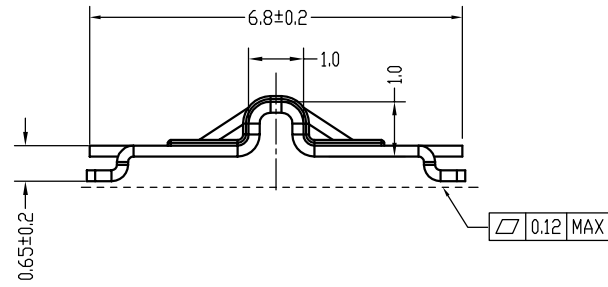
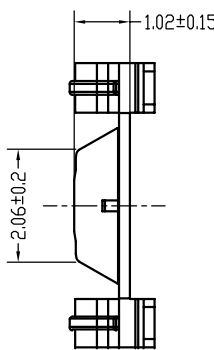
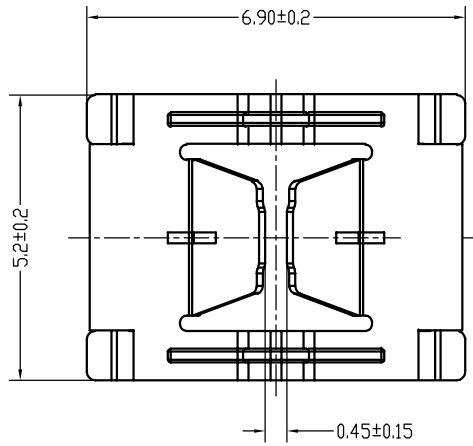
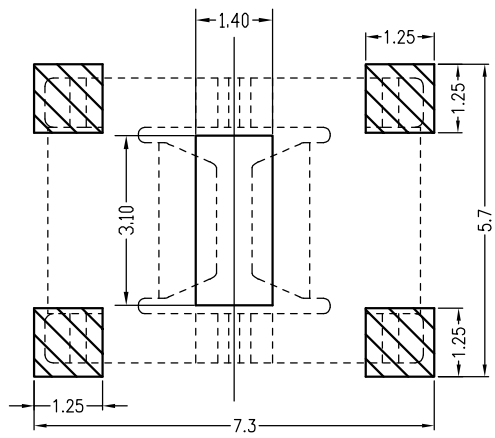


A B C D E F

REV	ECN No.	DESCRIPTION	DESIGN	DATE
A0		Release	吴丹平	2017.06.14



Mating PCB detail

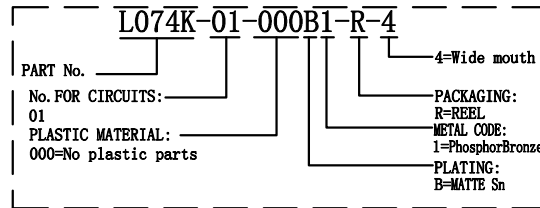


Board Layout

主要技术参数 Main Specifications

板厚 (thickness): 1.0mm  
 接触电阻 (Contact resistance):  $\leq 20m\Omega$   
 额定电压 (Rated voltage): 250 V AC DC  
 额定电流 (Rated current): 1.0A AC  
 温度范围 (Temperature Range):  $-45^{\circ}C \sim +125^{\circ}C$

ORDER INFORMATION:



ITEM	COMPONENT	Q'TY	MATERIAL	FINISH
A	CONTACT	1 PCS	PhosphorBronze	MATTE Sn-plated

东莞市高迪电子有限公司 DONG GUAN GAO DI ELECTRONICS CO., LTD		TITLE: -	
X.±0.5	X.±5'	USE: CUSTOMER	PART NO.: L074K-01-000B1-R-4
.X±0.3	.X±2'	APPD: 邵敬和	DWG NO.: GCCP-1269
.XX±0.25	.XX±1'	CHKD: 田峰	SCALE: 1 : 1
---	---	DR: 蒋建银	SHEET: 1 / 1

A B C D E F