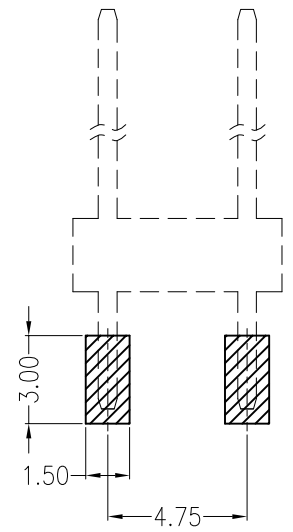
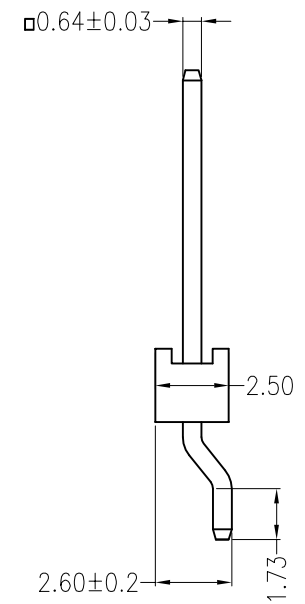
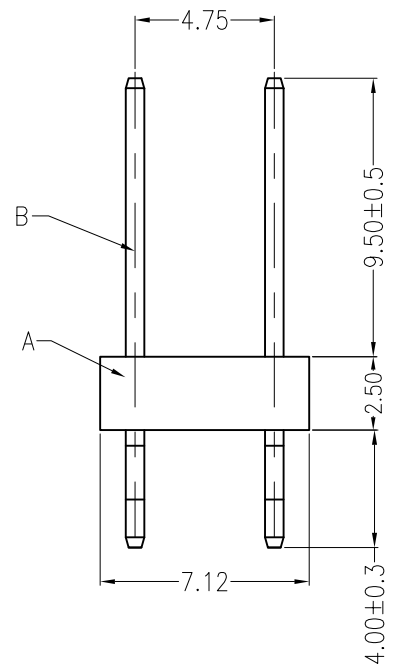


REV	ECN No.	DESCRIPTION	DESIGN	DATE
A0		Release	吴丹平	2017.11.02



Board Layout
General Tolerance: ±0.05

主要技术参数 Main Specifications

- 线 数 (Poles): 02 to 10
- 接触电阻 (Contact resistance): ≤30mΩ
- 绝缘电阻 (Insulation resistance): ≥1000MΩ
- 额定电压 (Rated voltage): 250V AC DC
- 额定电流 (Rated current): 2.0A AC DC
- 耐 电压 (Withstand Voltage): 1500V AC/minute
- 温度范围 (Temperature Range): -40℃ ~ +110℃

ORDER INFORMATION:

L043AWR-02-B1MB2-*-4

PART No.	4=外露针长: 9.5
No.OF CIRCUITS:	PACKAGING: P=PE
PLASTIC MATERIAL:	R=REEL
B1M=PA46(BEIGE)	Metal code: 2=Brass
	PLATING: B=MATTE Sn

ITEM	COMPONENT	Q'TY	MATERIAL	FINISH
C				
B	CONTACT	2 PCS	Brass	MATTE Sn-plated
A	HOUSING	1 PCS	PA46	UL 94V-0, COLOR:BEIGE

东莞市高迪电子有限公司
DONG GUAN GAO DI ELECTRONICS CO., LTD

TITLE: -
4.75mmPITCH 180°WAFER SMT TYPE

X.±0.5	X.±5'	USE:	CUSTOMER	PART NO.: L043AWR-02-B1MB2-*-4
.X±0.3	.X±2'	APPD: 邵敬和		
.XX±0.25	.XX±1'	CHKD: 田 峰		
--	--	CHKD: 田 峰	GCCP-1069	SCALE 1 : 1
⊕	◁	UNITS: mm		