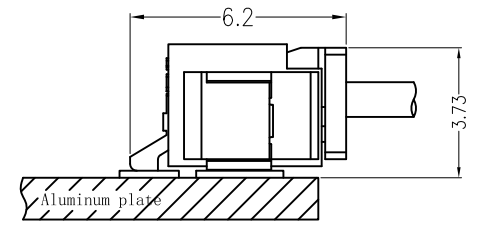
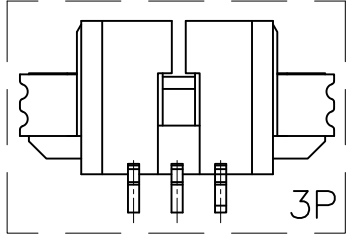
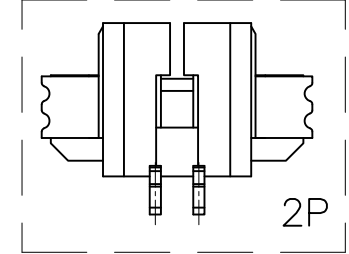
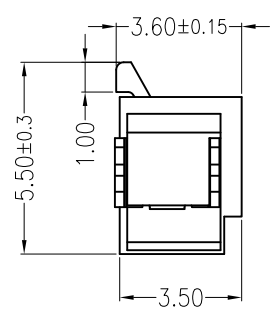
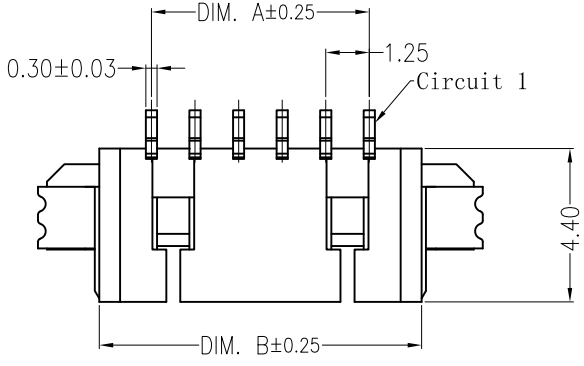


REV	DESCRIPTION	DESIGN	DATE
A0	NEW RELEASE	Wudanping	2015/10/18

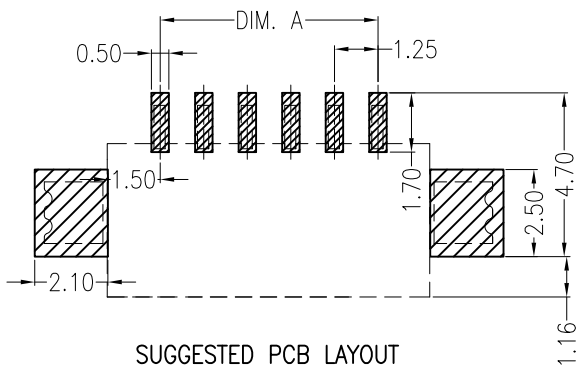
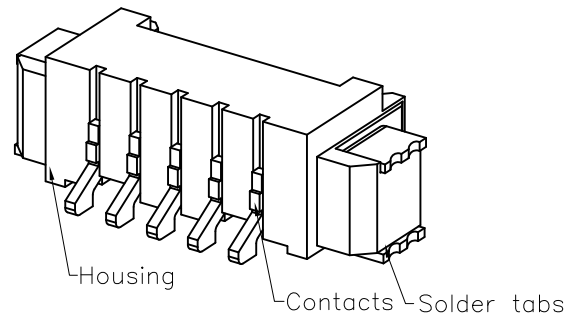
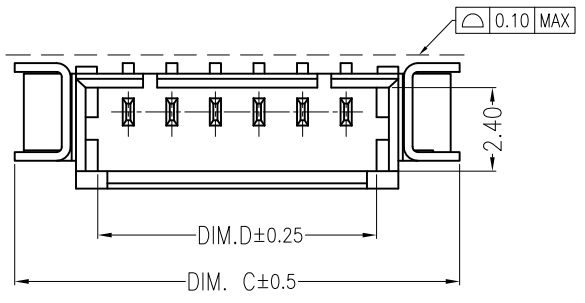
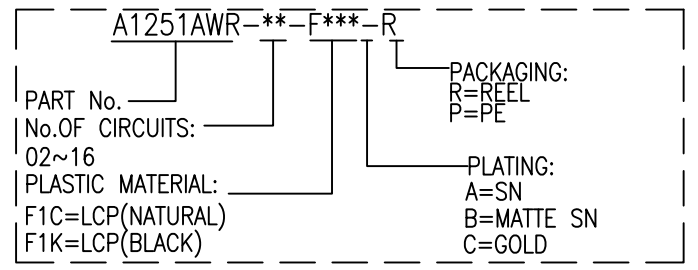


Assembly Layout

**Specifications:**

- Contact resistance: ≤20mΩ
- Insulation resistance: ≥100MΩ
- Rated voltage: 125V AC DC
- Rated current: 1.0A AC DC
- Withstand voltage: 500V AC/minute
- Temperature range: -25°C ~ +105°C
- Housing: LCP UL94V-0 (Natural/Black)
- Contacts: Phosphor bronze (Matte Sn/Sn/ Gold plating)
- Solder tabs: Brass/Sn

**ORDER INFORMATION:**



SUGGESTED PCB LAYOUT

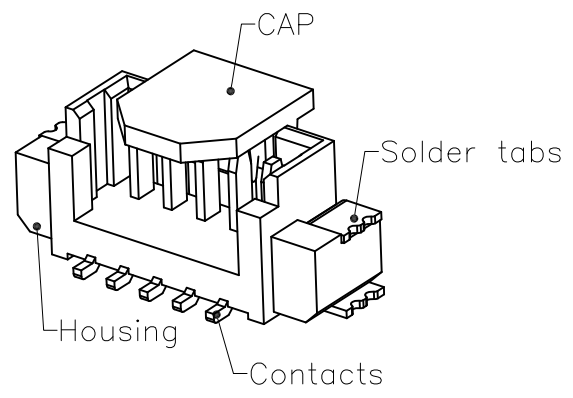
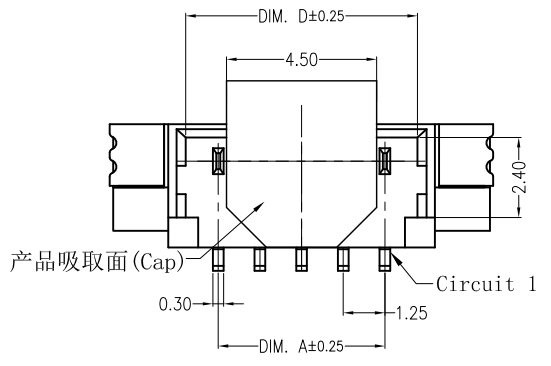
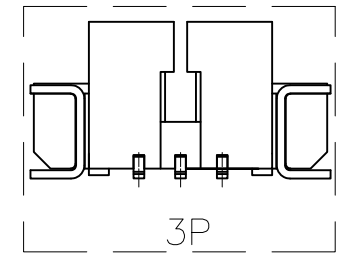
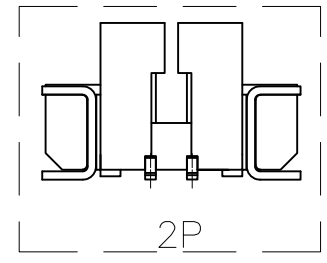
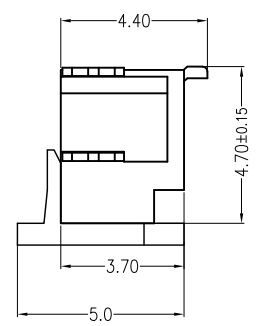
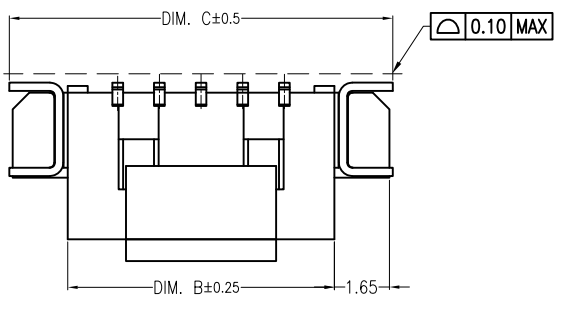
Circuit	Dimensions (mm)			
	DIM=A	DIM=B	DIM=C	DIM=D
02	1.25	4.25	7.75	3.20
03	2.50	5.50	9.00	4.45
04	3.75	6.75	10.25	5.70
05	5.00	8.00	11.50	6.95
06	6.25	9.25	12.75	8.20
07	7.50	10.50	14.00	9.45
08	8.75	11.75	15.25	10.70
09	10.00	13.00	16.50	11.95
10	11.25	14.25	17.75	13.20
11	12.50	15.50	19.00	14.45
12	13.75	16.75	20.25	15.70
13	15.00	18.00	21.50	16.95
14	16.25	19.25	22.75	18.20
15	17.50	20.50	24.00	19.45
16	18.75	21.75	25.25	20.70

东莞市高迪电子有限公司  
DONG GUAN GAO DI ELECTRONICS CO., LTD

GENERAL TOLERANCE		USE:
X. ±0.50	X. ±5°	CUSTOMER
X.X ±0.30	X.X ±2°	APPD: Shaojinghe
X.XX ±0.20	X.XX ±1°	CHKD: Zlinglingqing
UNITS: mm		DR: Jiangjiayin

TITLE:	1.25mm PITCH 90° WAFER SMT TYPE
PART NO.:	A1251AWR-**-F***-R
DWG NO.:	GCKH-0508
SCALE	SHEET
1 : 1	1 / 1

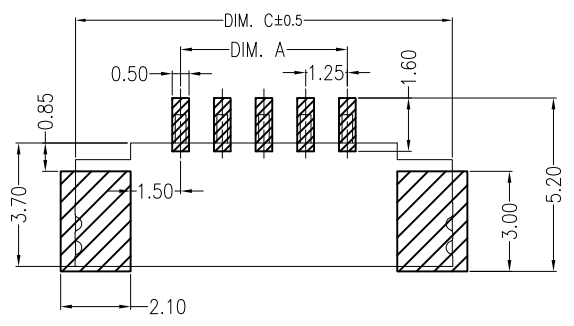
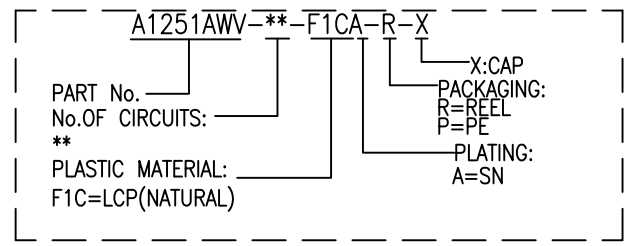
REV	DESCRIPTION	DESIGN	DATE
A0	NEW RELEASE	Wudanping	2015/10/18



**Specifications:**

- Contact resistance:  $\leq 20m\Omega$
- Insulation resistance:  $\geq 100M\Omega$
- Rated voltage: 125V AC DC
- Rated current: 1.0A AC DC
- Withstand voltage: 500V AC/minute
- Temperature range:  $-25^{\circ}C \sim +105^{\circ}C$
- Housing: LCP UL94V-0, Natural
- CAP: LCP UL94V-0, Natural
- Contacts: Phosphor bronze, Sn
- Solder tabs: Brass/Sn

**ORDER INFORMATION:**



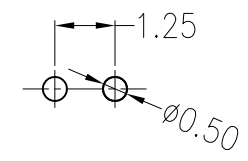
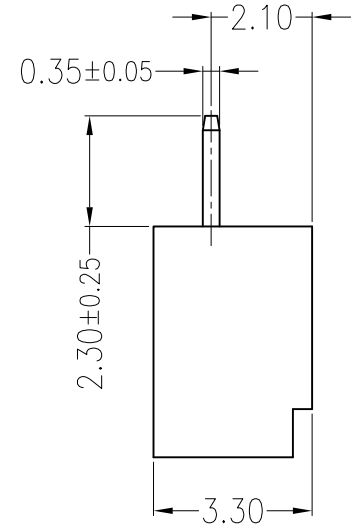
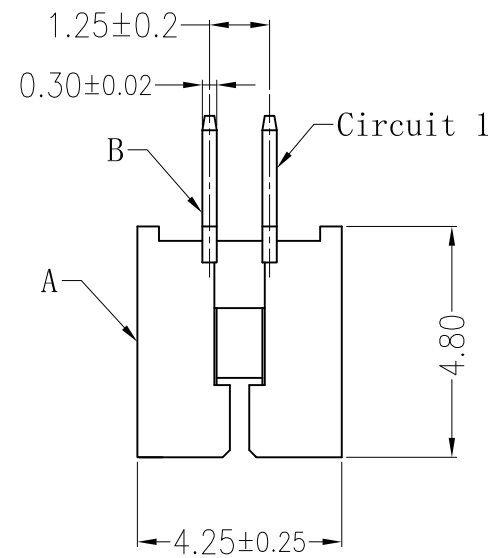
Circuit	Dimensions (mm)			
	DIM. A	DIM. B	DIM. C	DIM. D
02	1.25	4.25	7.75	3.20
03	2.50	5.50	9.00	4.45
04	3.75	6.75	10.25	5.70
05	5.00	8.00	11.50	6.95
06	6.25	9.25	12.75	8.20
07	7.50	10.50	14.00	9.45
08	8.75	11.75	15.25	10.70
09	10.00	13.00	16.50	11.95
10	11.25	14.25	17.75	13.20
11	12.50	15.50	19.00	14.45
12	13.75	16.75	20.25	15.70
13	15.00	18.00	21.50	16.95
14	16.25	19.25	22.75	18.20
15	17.50	20.50	24.00	19.45
16	18.75	21.75	25.25	20.70

**東莞市高迪電子有限公司**  
DONG GUAN GAO DI ELECTRONICS CO., LTD

GENERAL TOLERANCE		USE:
X. $\pm 0.50$	X. $\pm 5^{\circ}$	CUSTOMER
X.X $\pm 0.30$	X.X $\pm 2^{\circ}$	APPD: Shaojinghe
X.XX $\pm 0.20$	X.XX $\pm 1^{\circ}$	CHKD: Zlinglingqing
UNITS: mm		DR: Jiangjianyin

TITLE: 1.25mm PITCH 180° WAFER SMT TYPE	
PART NO.: A1251AW-**-F1CA-R-X	
DWG NO.: GCKH-0509	
SCALE 1 : 1	SHEET 1 / 1

REV	ECN No.	DESCRIPTION	DESIGN	DATE
A0		Release	吴丹平	2017.05.29

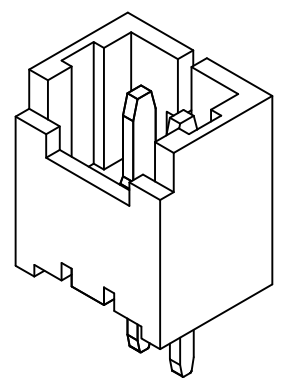
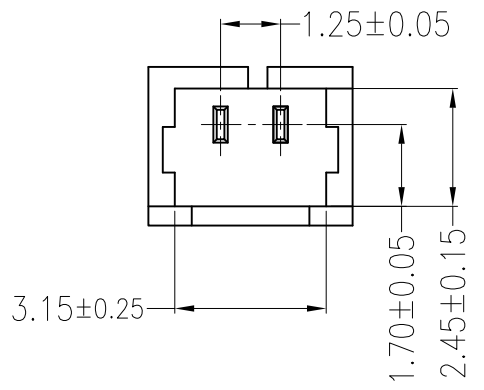
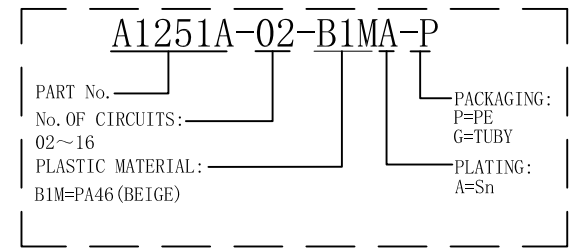


SUGGESTED PCB LAYOUT  
(COMPONENT SIDE)

### 主要技术参数 Main Specifications

- 线数 (Poles): 02 to 16
- 接触电阻 (Contact resistance):  $\leq 20m\Omega$
- 绝缘电阻 (Insulation resistance):  $\geq 100M\Omega$
- 额定电压 (Rated voltage): 125 V AC DC
- 额定电流 (Rated current): 1.0A AC DC
- 耐电压 (Withstand Voltage): 500V AC/minute
- 温度范围 (Temperature Range):  $-25^{\circ}C \sim +85^{\circ}C$

### ORDER INFORMATION:

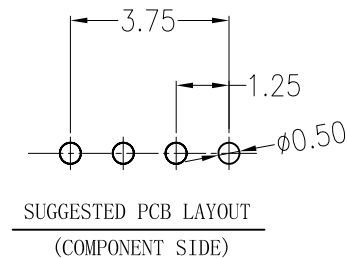
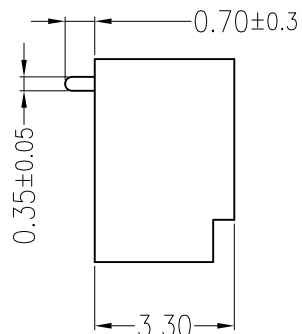
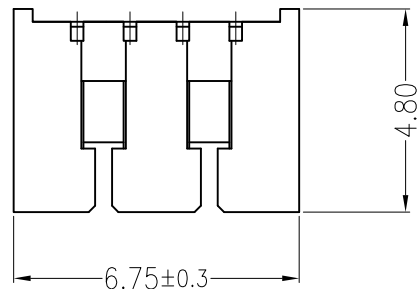


ITEM	COMPONENT	Q'TY	MATERIAL	FINISH
B	CONTACT	2 PCS	Brass	Sn-plated
A	PEDESTAL	1 PCS	PA46	UL 94V-0, COLOR:BEIGE

<b>东莞市高迪电子有限公司</b> DONG GUAN GAO DI ELECTRONICS CO., LTD		TITLE: A1251A 1.25mm PITCH 180° WAFER DIP TYPE	
X.±0.5	X.±5'	USE: CUSTOMER	PART NO.:
.X±0.3	.X±2'		A1251A-02-B1MA-P
.XX±0.25	.XX±1'	APPD: 邵敬和	DWG NO.:
--	--	CHKD: 田峰	GCCP-0650
	UNITS: mm	DR: 吴丹平	SCALE: 1 : 1
			SHEET: 1 / 1

A B C D E F

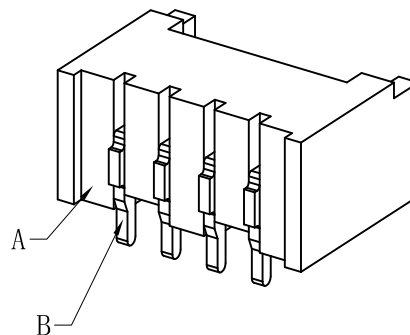
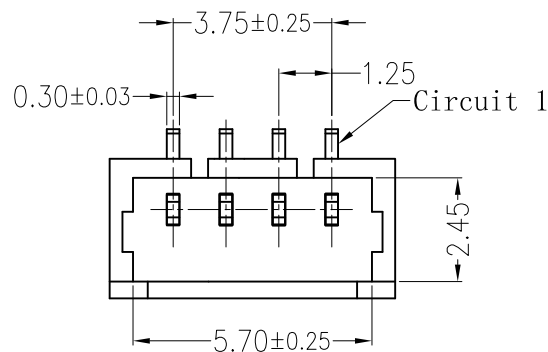
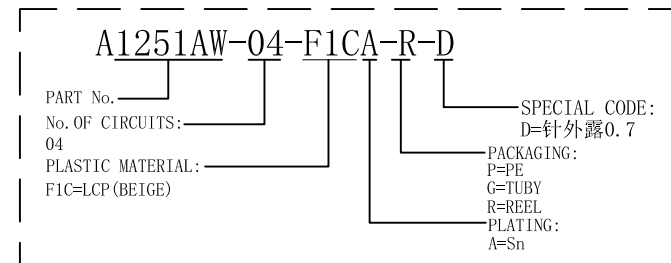
REV	ECN No.	DESCRIPTION	DESIGN	DATE
A0		Release	吴丹平	2016.05.05
A1		增加加盖卷装包装方式	蒋建银	2020.06.04



### 主要技术参数 Main Specifications

线 数 (Poles): 02 to 16  
 接触电阻 (Contact resistance):  $\leq 20m\Omega$   
 绝缘电阻 (Insulation resistance):  $\geq 100M\Omega$   
 额定电压 (Rated voltage): 125 V AC DC  
 额定电流 (Rated current): 1.0A AC DC  
 耐 电压 (Withstand Voltage): 500V AC/minute  
 温度范围 (Temperature Range):  $-25^{\circ}C \sim +85^{\circ}C$

### ORDER INFORMATION:



ITEM	COMPONENT	Q'TY	MATERIAL	FINISH
C				
B	CONTACT	4 PCS	Brass	Sn-plated
A	PEDESTAL	1 PCS	LCP	UL 94V-0, COLOR:BEIGE

<b>东莞市高迪电子有限公司</b> DONG GUAN GAO DI ELECTRONICS CO., LTD			TITLE: 1.25mmPITCH 180°WAFER DIP TYPE	
X.±0.5	X.±5'	USE: CUSTOMER	PART NO.:	
.X±0.3	.X±2'		A1251AW-04-F1CA-R-D	
.XX±0.25	.XX±1'	APPD: 邵敬和	DWG NO.:	
--	--	CHKD: 田峰	GCCP-0655	
UNITS: mm	DR: 蒋建银	SCALE 1 : 1	SHEET 1 / 1	

A B C D E F

1

2

3

4

5

1

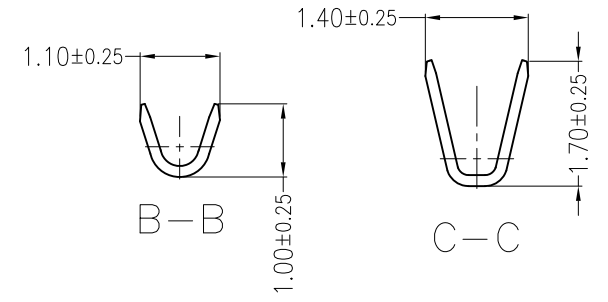
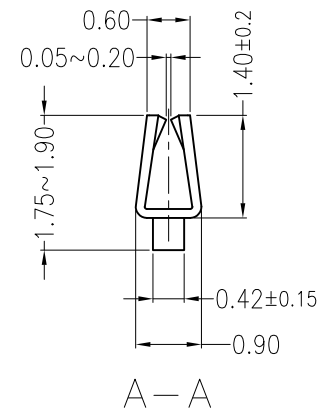
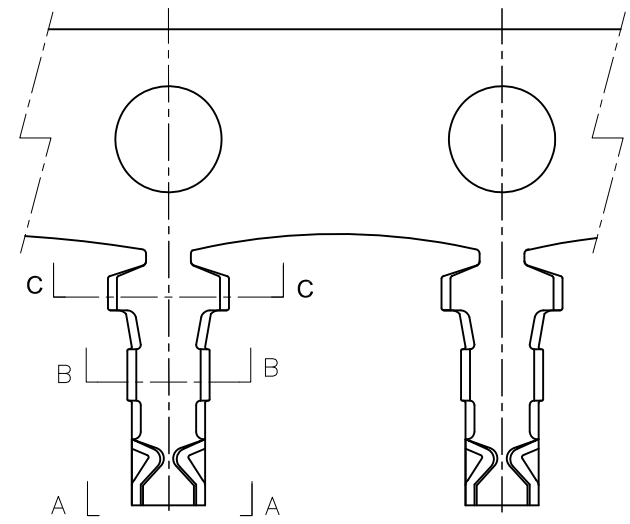
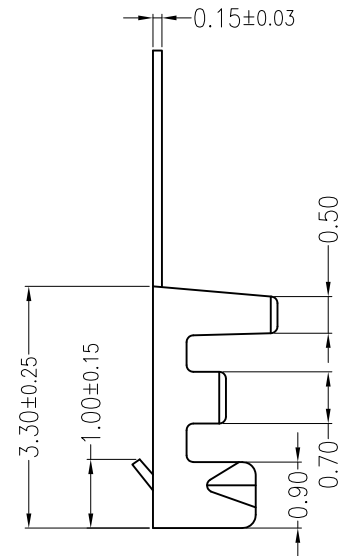
2

3

4

5

REV	ECN No.	DESCRIPTION	DESIGN	DATE
A0		Release	吴丹平	2015.08.08



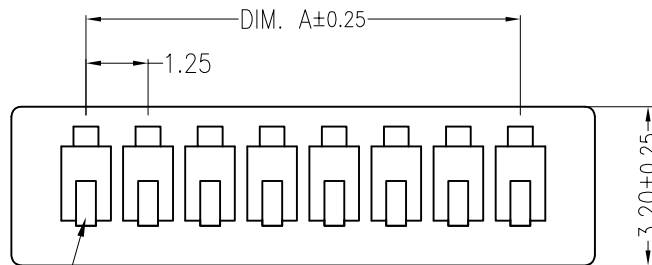
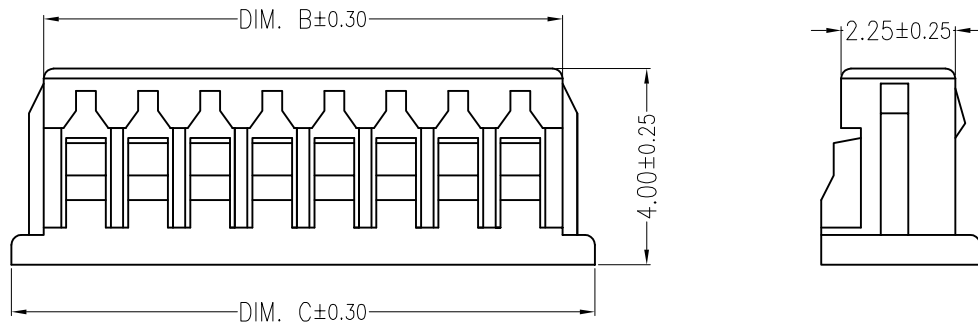
ITEM	COMPONENT	Q'TY	MATERIAL	FINISH
C				
B				
A	CONTACT	1 PCS	Phosphor bronze	Sn-plated

<b>東莞市高迪電子有限公司</b> DONG GUAN GAO DI ELECTRONICS CO., LTD			TITLE: -
X.±0.5	X.±5'	USE: CUSTOMER	PART NO.: A1251T-02端子
.X±0.3	.X±2'	APPD: 邵敬和	DWG NO.: GCDZ-0002
.XX±0.25	.XX±1'	CHKD: 田峰	SCALE: 1 : 1
--	--	DR: 吴丹平	SHEET: 1 / 1
UNITS: mm			

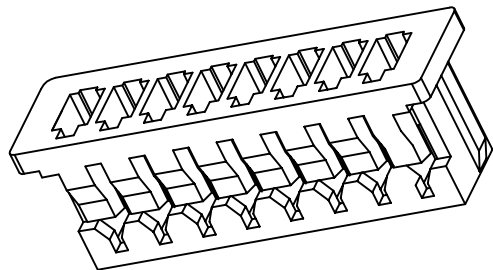
Ordering Information & Specification:

Part No	Wire Range	Insulation O.D.	Material	Finish	Qty/Reel
A1251T-02端子	AWG #28~#32	1.00mm(max)	Phosphor bronze	Tin-plated	

REV	ECN No.	DESCRIPTION	DESIGN	DATE
A	-	NEW RELEASE	吴丹平	2017.10.12



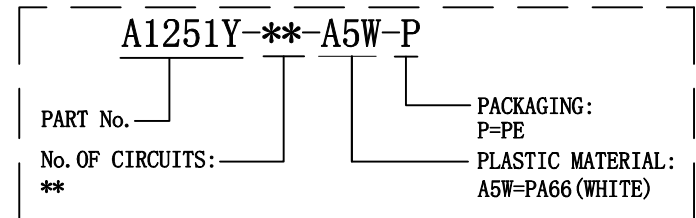
Circuit 1



### 主要技术参数 Main Specifications

线 数 (Poles): 02 to 16  
 接触电阻 (Contact resistance):  $\leq 20m\Omega$   
 绝缘电阻 (Insulation resistance):  $\geq 100M\Omega$   
 额定电压 (Rated voltage): 125 V AC DC  
 额定电流 (Rated current): 1.0A AC DC  
 耐 电压 (Withstand Voltage): 500V AC/minute  
 温度范围 (Temperature Range):  $-25^{\circ}C \sim +85^{\circ}C$

### ORDER INFORMATION:



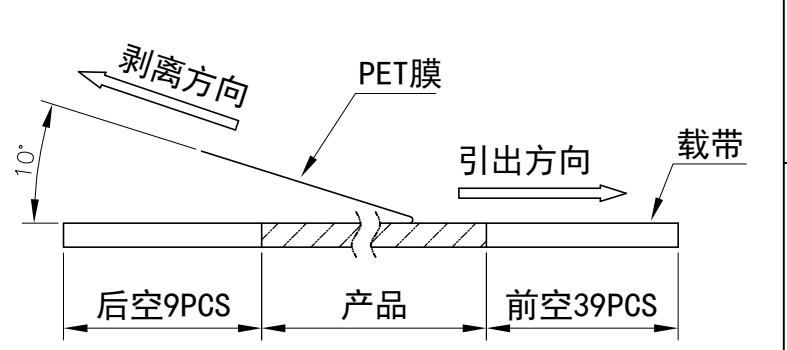
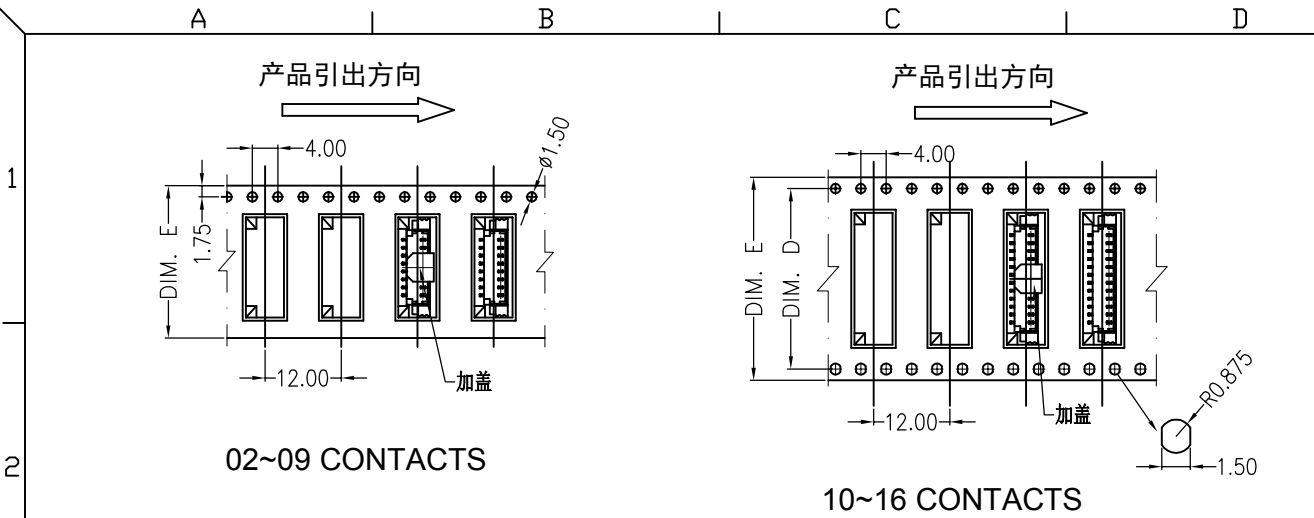
Circuits	Dimensions(mm)		
	DIM. A	DIM. B	DIM. C
02	1.25	3.00	4.25
03	2.50	4.25	5.50
04	3.75	5.50	6.75
05	5.00	6.75	8.00
06	6.25	8.00	9.25
07	7.50	9.25	10.50
08	8.75	10.50	11.75
09	10.00	11.75	13.00
10	11.25	13.00	14.25
11	12.50	14.25	15.50
12	13.75	15.55	16.75
13	15.00	16.75	18.00
14	16.25	1800	19.25
15	17.50	19.25	20.50
16	18.75	20.50	21.75

ITEM	COMPONENT	Q'TY	MATERIAL	FINISH
C				
B				
A	HOUSING	1~16 PCS	PA66	COLOR:WHITE

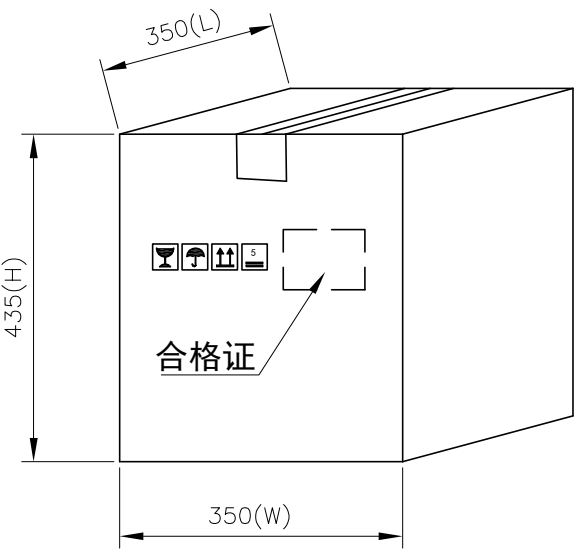
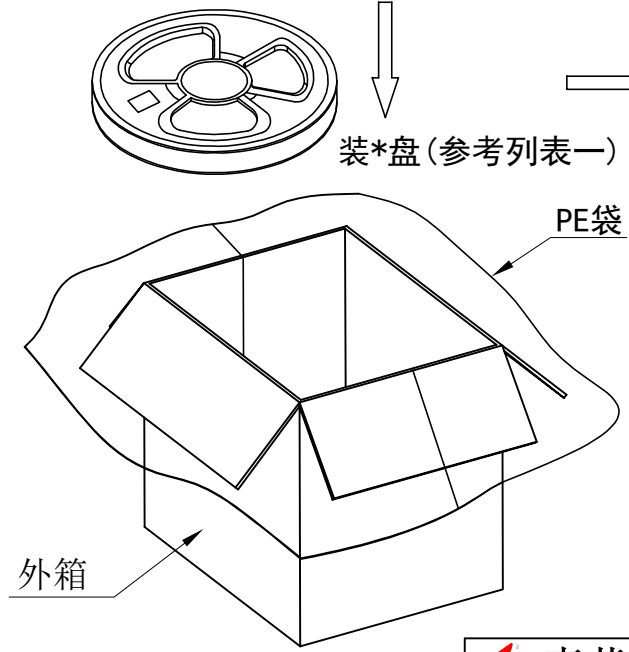
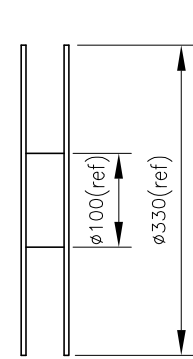
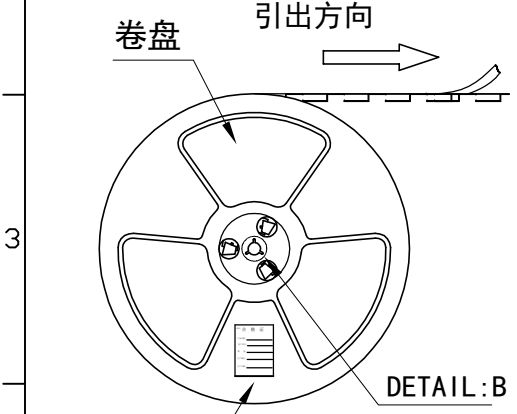
  

<b>东莞市高迪电子有限公司</b> DONG GUAN GAO DI ELECTRONICS CO., LTD	TITLE: A1251Y 1.25mmPITCH Housing	
	USE: CUSTOMER	PART NO.:
	APPD: 邵敬和	A1251Y-**-A5W-P
	CHKD: 田峰	DWG NO.:
UNITS: mm	DR: 吴丹平	JKUN/GCCP-0510
		SCALE: 1 : 1
		SHEET: 1 / 1

REV	ECN No.	DESCRIPTION	DESIGN	DATE
A		Release	蒋建银	2018.06.22



(PET膜剥离示意图)



列表一

Circuits	DIM. D	DIM. E	Q'ty/Reel	Packing (Reel/Caton)
02-03PIN	-	16	1000PCS	20/Reel
04-09PIN	-	24	1000PCS	15/Reel
10-13PIN	28.4	32	1000PCS	11/Reel
14-16PIN	40.4	44	1000PCS	8/Reel

包装说明:

- 把成品包入卷盘中, 每盘装1000PCS, 卷盘上贴上合格证, 将装好产品的卷盘放进外箱中, 外箱内先套一个大PE袋, 外箱上贴贴上合格证.
- 所有材料有害物控制需符合 RoHS标准.

东莞市高迪电子有限公司  
DONG GUAN GAO DI ELECTRONICS CO., LTD

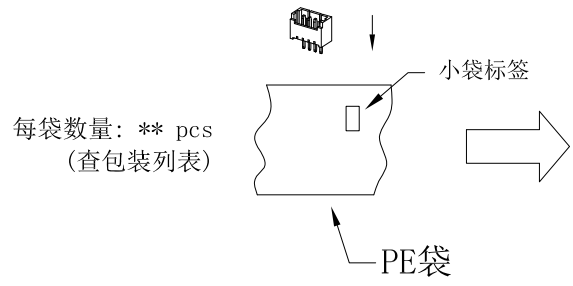
X.± 0.5	X.±'	USE: MANUFACTURE
.X± 0.3	.X±'	APPD: 谭龙清
.XX±0.25	.XX±'	CHKD: 田峰
--	--	DR: 蒋建银
	UNITS: mm	

TITLE:	
PART NO.:	A1251AWV卷装规范
DWG NO.:	GCBZ-0506
SCALE	SHEET
1 : 1	1 / 1

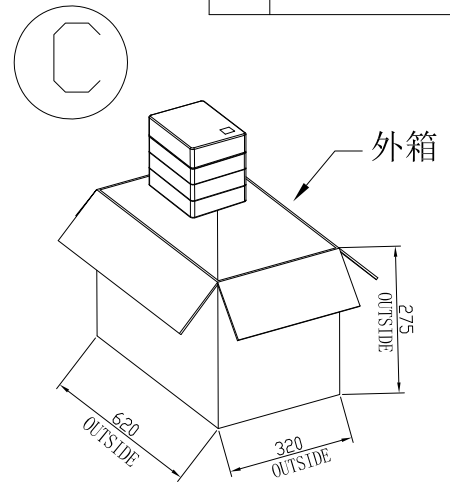
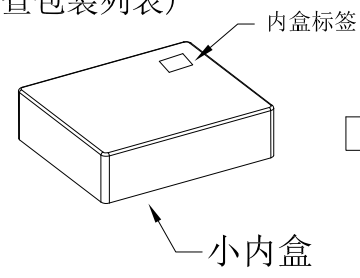
REV	ECN No.	DESCRIPTION	DESIGN	DATE
A		Release	蒋建银	2019.02.17

Ⓐ  
把产品装进PE袋中

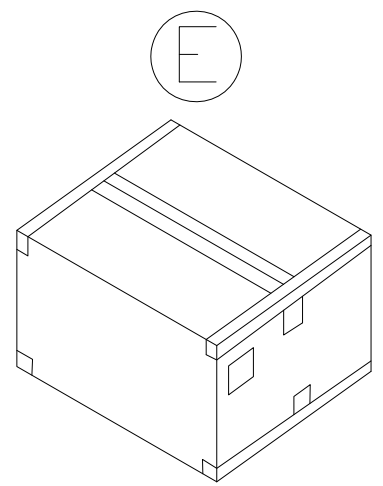
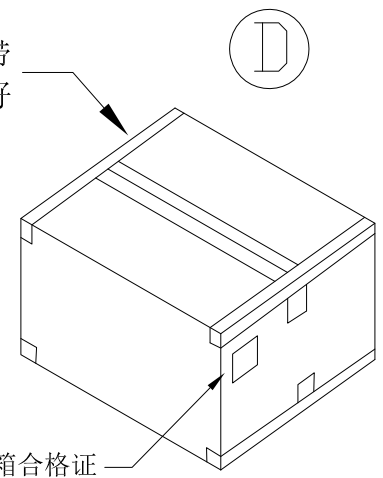
成品



Ⓑ  
将\*\*袋放入小包装盒内  
(查包装列表)



用透明胶带  
将纸箱封好



包装数量列表

物料编码	针长	PE袋包装	小内盒包装	外箱包装
A1251A-02	2.30	2000PCS	12000PCS	216000PCS
A1251A-03	2.30	2000PCS	10000PCS	180000PCS
A1251A-04	2.30	2000PCS	8000PCS	144000PCS
A1251A-05	2.30	2000PCS	6000PCS	108000PCS
A1251A-06	2.30	1000PCS	6000PCS	108000PCS
A1251A-07	2.30	1000PCS	5000PCS	90000PCS
A1251A-08	2.30	1000PCS	4000PCS	72000PCS
A1251A-09	2.30	1000PCS	4000PCS	72000PCS
A1251A-10	2.30	1000PCS	3000PCS	54000PCS
A1251A-11	2.30	1000PCS	3000PCS	54000PCS
A1251A-12	2.30	1000PCS	3000PCS	54000PCS
A1251A-13	2.30	1000PCS	2500PCS	45000PCS
A1251A-14	2.30	1000PCS	2000PCS	36000PCS
A1251A-15	2.30	1000PCS	2000PCS	36000PCS

包装BOM:

项目	品名	料号	规格
①	A1251A	SEE NOTE	
②	PE袋		
③	小袋标签		80*50mm
④	内盒标签		80*50mm
⑤	外箱标签		80*50mm
⑥	干燥剂		---
⑦	小包装盒		外径: L200mm*W152mm*H78mm
⑧	纸箱		外径: L620mm*W320mm*H275mm

包装说明:

- 把成品装进PE袋中, 每袋装\*\*\*PCS, 每袋放一包干燥剂, 将装好产品的PE袋用热封机封好放入小包装盒中, 把内合格证贴于小包装盒左上角, 同时, 盖上检验员及日期章, 印章字体要求清晰可见。
- 再将小包装盒放入外箱中, 包装数量见附表, 外箱贴上合格证。
- 所有材料有害物控制需符合RoHS标准。

东莞市高迪电子有限公司  
DONG GUAN GAO DI ELECTRONICS CO., LTD

X.±	X.±*	USE:	MANUFACTURE
.X±	.X±*	APPD:	
.XX±	.XX±*	CHKD:	
--	--	DR:	邵敬和
⊕	⊖	UNITS:	田峰
		mm	蒋建银

TITLE: 包装规范	
PART NO.: A1251A袋装包装规范	
DWG NO.: GCBZ-0506	
SCALE 1 : 1	SHEET 1 / 1



A

B

C

D

E

F

REV	ECN No.	DESCRIPTION	DESIGN	DATE
A		Release	蒋建银	2019.02.17

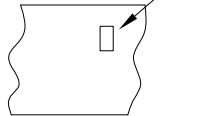


把产品装进PE袋中

成品



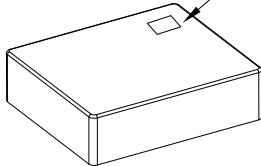
小袋标签

每袋数量: \*\* pcs  
(查包装列表)

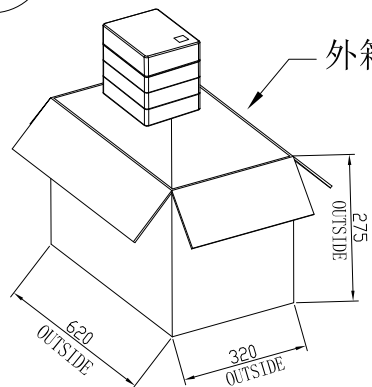
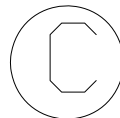
PE袋

将\*\*袋放入小包装盒内  
(查包装列表)

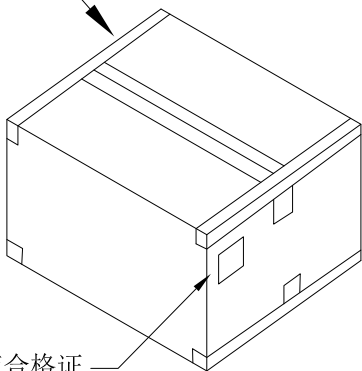
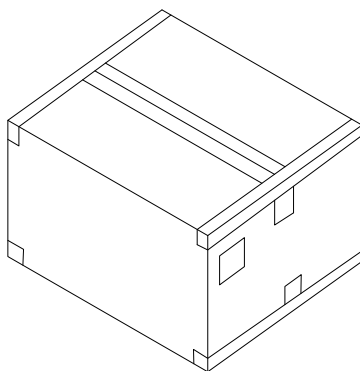
内盒标签



小内盒



外箱

用透明胶带  
将纸箱封好外箱合格证  
RoHS标签

包装BOM:

项目	品名	料号	规格
①	A1251AW	SEE NOTE	
②	PE袋		
③	小袋标签		80*50mm
④	内盒标签		80*50mm
⑤	外箱标签		80*50mm
⑥	干燥剂		---
⑦	小包装盒		外径: L200mm*W152mm*H78mm
⑦	纸箱		外径: L620mm*W320mm*H275mm

包装说明:

- 把成品装进PE袋中, 每袋装\*\*\*PCS, 每袋放一包干燥剂, 将装好产品的PE袋用热封机封好放入小包装盒中, 把内合格证贴于小包装盒左上角, 同时, 盖上检验员及日期章, 印章字体要求清晰可见。
- 再将小包装盒放入外箱中, 包装数量见附表, 外箱贴上合格证。
- 所有材料有害物控制需符合RoHS标准。

包装数量列表

物料编码	针长	PE袋包装	小内盒包装	外箱包装
A1251AW-02	2.25	2000PCS	16000PCS	288000PCS
A1251AW-03	2.25	2000PCS	10000PCS	180000PCS
A1251AW-04	2.25	1000PCS	6000PCS	108000PCS
A1251AW-05	2.25	2000PCS	6000PCS	108000PCS
A1251AW-06	2.25	1000PCS	6000PCS	108000PCS
A1251AW-07	2.25	1000PCS	5000PCS	90000PCS
A1251AW-08	2.25	1000PCS	4000PCS	72000PCS
A1251AW-09	2.25	1000PCS	4000PCS	72000PCS
A1251AW-10	2.25	1000PCS	3000PCS	54000PCS
A1251AW-11	2.25	1000PCS	3000PCS	54000PCS
A1251AW-12	2.25	1000PCS	3000PCS	54000PCS
A1251AW-13	2.25	500PCS	2500PCS	45000PCS
A1251AW-14	2.25	500PCS	2000PCS	36000PCS
A1251AW-15	2.25	500PCS	2000PCS	36000PCS

**东莞市高迪电子有限公司**  
 DONG GUAN GAO DI ELECTRONICS CO., LTD

TITLE:

包装规范

X.±	X.±*	USE:	MANUFACTURE
.X±	.X±*	APPD:	
.XX±	.XX±*		邵敬和
--	--	CHKD:	田峰
⊕	⊖	UNITS:	DR:
		mm	蒋建银

PART NO.:

A1251AW袋装包装规范

DWG NO.:

GCBZ-0507

SCALE

1 : 1

SHEET

1 / 1

A

B

C

D

E

F