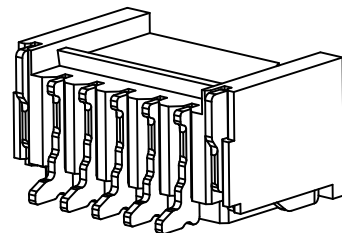
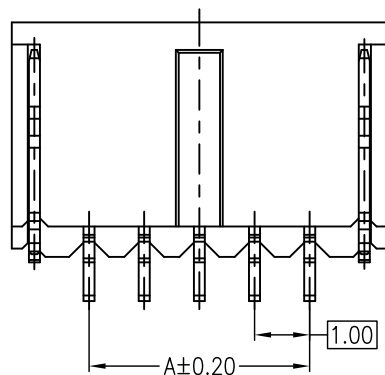
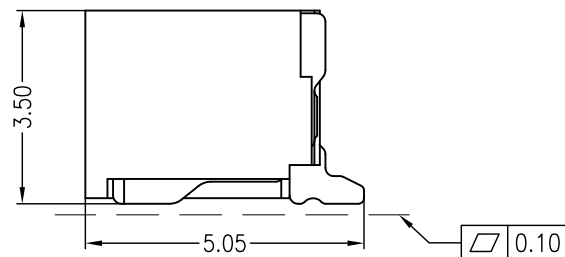
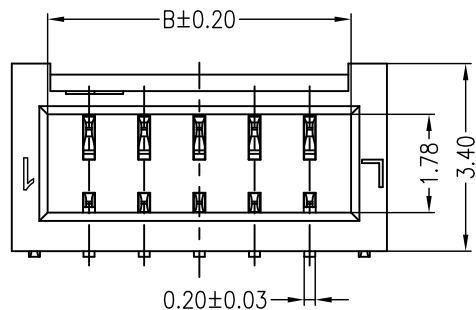


PCB LAYOUT(Tolerance:±0.05)

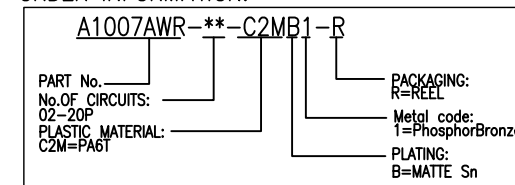


| REV | DESCRIPTION | DESIGN | DATE |
|-----|-------------|------------|------------|
| A | NEW RELEASE | FangSongLe | 2021/06/30 |

Specifications:

Poles: 02 to 20
 Contact resistance: ≤20mΩ
 Insulation resistance: ≥100MΩ
 Rated voltage: 125V AC DC
 Rated current: 1.0A AC DC
 Withstand Voltage: 500V AC/minute
 Temperature Range: -25°C~ +85°C
 Housing: PA6T UL94V-0, Natural
 Cap: PA6T UL94V-0, Natural
 Contacts: PhosphorBronze/Matte Sn-plated
 Solder tabs: PhosphorBronze/Matte Sn-plated

ORDER INFORMATION:



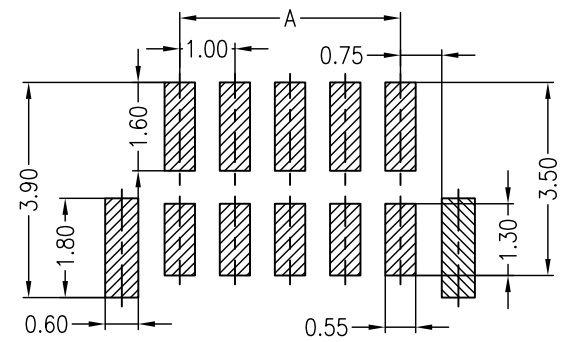
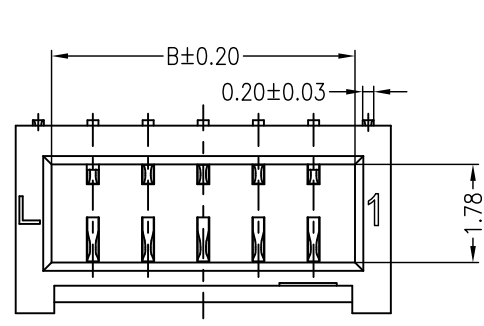
| PIN | DIM A | DIM B | DIM C | PIN | DIM A | DIM B | DIM C |
|-----|-------|-------|-------|-----|-------|-------|-------|
| 2P | 1.00 | 2.50 | 3.80 | 12P | 11.00 | 12.5 | 13.8 |
| 3P | 2.00 | 3.50 | 4.80 | 13P | 12.00 | 13.5 | 14.8 |
| 4P | 3.00 | 4.50 | 5.80 | 14P | 13.00 | 14.5 | 15.8 |
| 5P | 4.00 | 5.50 | 6.80 | 15P | 14.00 | 15.5 | 16.8 |
| 6P | 5.00 | 6.50 | 7.80 | 16P | 15.00 | 16.5 | 17.8 |
| 7P | 6.00 | 7.50 | 8.80 | 17P | 16.00 | 17.5 | 18.8 |
| 8P | 7.00 | 8.50 | 9.80 | 18P | 17.00 | 18.5 | 19.8 |
| 9P | 8.00 | 9.50 | 10.8 | 19P | 18.00 | 19.5 | 20.8 |
| 10P | 9.00 | 10.50 | 11.8 | 20P | 19.00 | 20.5 | 21.8 |
| 11P | 10.00 | 11.50 | 12.8 | | | | |

東莞市高迪電子有限公司
 DONG GUAN GAO DI ELECTRONICS CO., LTD

TITLE: 1.0 Pitch Wafer 90° SMT

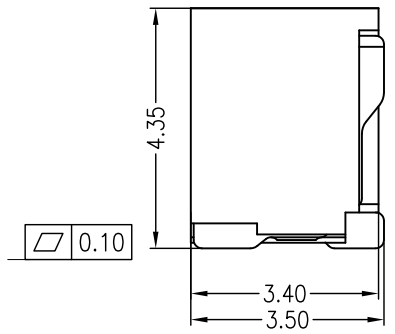
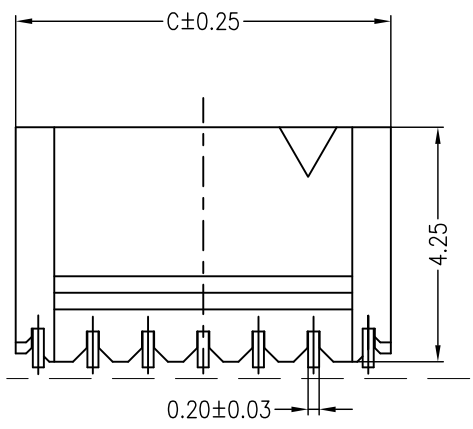
| | | | | |
|-------------------|----------|--------------------|-------------------------------|--|
| GENERAL TOLERANCE | | USE: CUSTOMER | PART NO.: A1007AWR-**-C2MB1-R | |
| X. ±0.50 | X. ±5' | APPD: Liuzhengling | DWG NO.: GCKH-0877 | |
| X.X ±0.30 | X.X ±2' | CHKD: Steven | SCALE: 1 : 1 | |
| X.XX ±0.20 | X.XX ±1' | DR: FangSongLe | SHEET: 1 / 1 | |

| REV | DESCRIPTION | DESIGN | DATE |
|-----|-------------|------------|------------|
| A0 | NEW RELEASE | FangSongLe | 2020/08/07 |

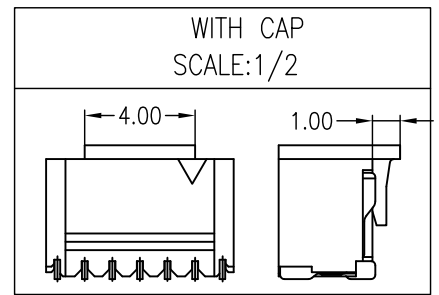
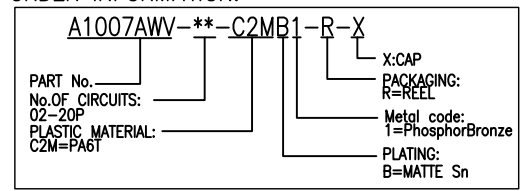


PCB LAYOUT(Tolerance:±0.05)

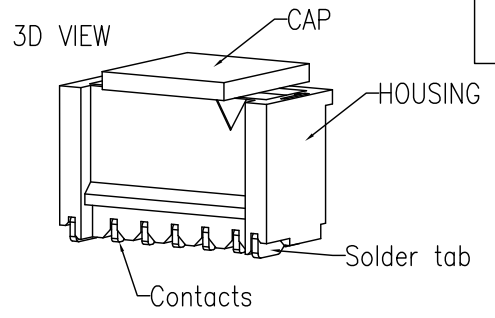
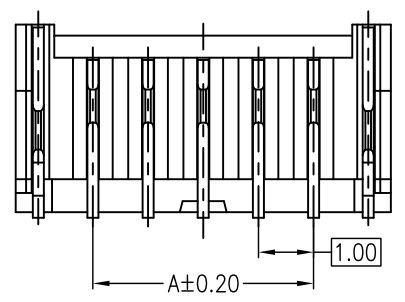
Specifications:
 Poles: 02 to 20
 Contact resistance: ≤20mΩ
 Insulation resistance: ≥100MΩ
 Rated voltage: 125V AC DC
 Rated current: 1.0A AC DC
 Withstand Voltage: 500V AC/minute
 Temperature Range: -25°C ~ +85°C
 Housing: PA6T UL94V-0, Natural
 Cap: PA6T UL94V-0, Natural
 Contacts: PhosphorBronze/Matte Sn-plated
 Solder tabs: PhosphorBronze/Matte Sn-plated



ORDER INFORMATION:



| PIN | DIM A | DIM B | DIM C | PIN | DIM A | DIM B | DIM C |
|-----|-------|-------|-------|-----|-------|-------|-------|
| 2P | 1.00 | 2.50 | 3.80 | 12P | 11.00 | 12.5 | 13.8 |
| 3P | 2.00 | 3.50 | 4.80 | 13P | 12.00 | 13.5 | 14.8 |
| 4P | 3.00 | 4.50 | 5.80 | 14P | 13.00 | 14.5 | 15.8 |
| 5P | 4.00 | 5.50 | 6.80 | 15P | 14.00 | 15.5 | 16.8 |
| 6P | 5.00 | 6.50 | 7.80 | 16P | 15.00 | 16.5 | 17.8 |
| 7P | 6.00 | 7.50 | 8.80 | 17P | 16.00 | 17.5 | 18.8 |
| 8P | 7.00 | 8.50 | 9.80 | 18P | 17.00 | 18.5 | 19.8 |
| 9P | 8.00 | 9.50 | 10.8 | 19P | 18.00 | 19.5 | 20.8 |
| 10P | 9.00 | 10.50 | 11.8 | 20P | 19.00 | 20.5 | 21.8 |
| 11P | 10.00 | 11.50 | 12.8 | | | | |

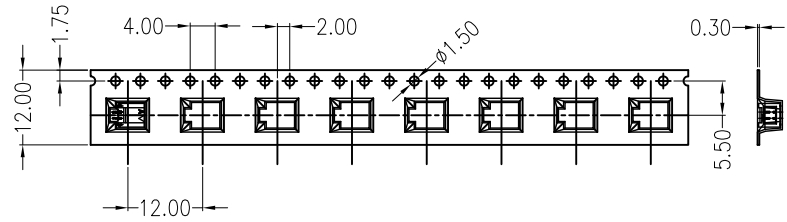


東莞市高迪電子有限公司
DONG GUAN GAO DI ELECTRONICS CO., LTD

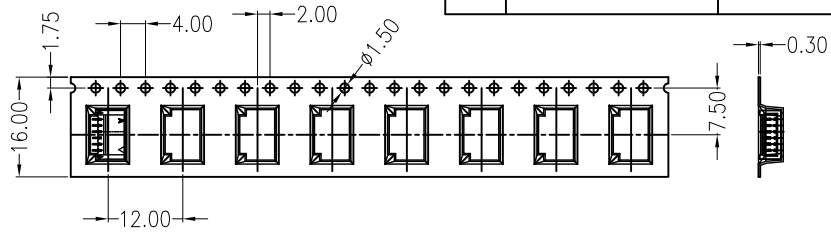
TITLE: 1.0 Pitch Wafer 180° SMT

| | | | |
|-------------------|----------|--------------------|---------------------------------|
| GENERAL TOLERANCE | | USE: CUSTOMER | PART NO.: A1007AWV-**-C2MB1-R-X |
| X. ±0.50 | X. ±5' | APPD: Liuzhengling | |
| X.X ±0.30 | X.X ±2' | CHKD: Steven | DWG NO.: GCKH-0877 |
| X.XX ±0.20 | X.XX ±1' | DR: FangSongLe | SCALE: 1 : 1 |
| UNITS: mm | | | SHEET: 1 / 1 |

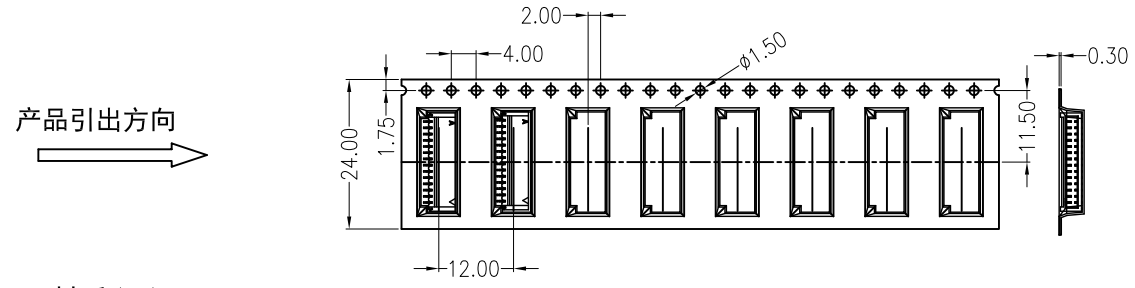
| | | | | |
|-----|---------|-------------|--------|------------|
| REV | ECN No. | DESCRIPTION | DESIGN | DATE |
| A | | Release | 陈志明 | 2022.05.19 |



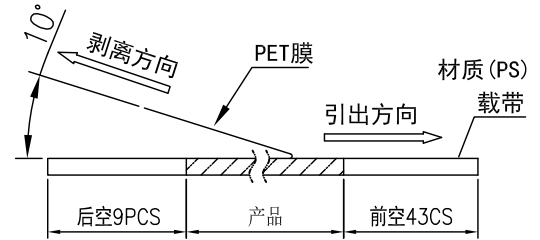
02 CONTACTS



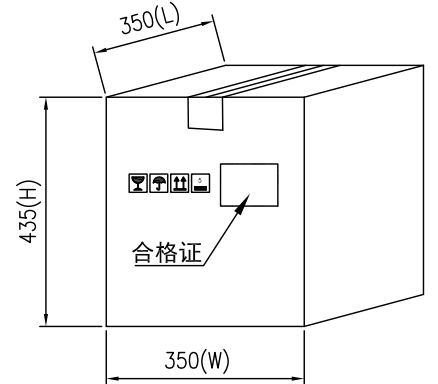
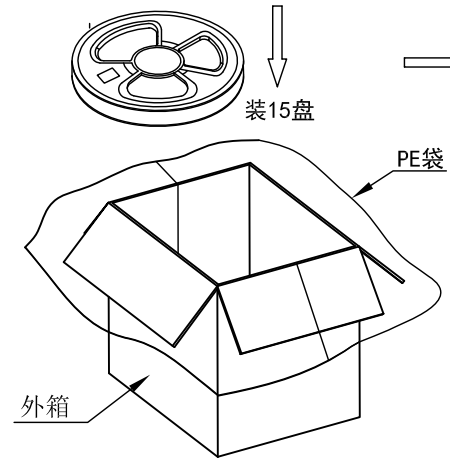
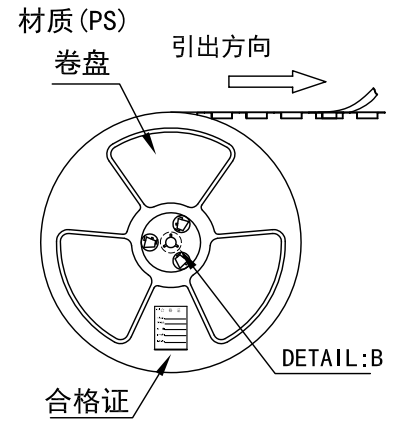
03~06 CONTACTS



14 CONTACTS



(PET膜剥离示意图)



列表一

| Circuits | DIM. D | DIM. E | Q'ty/Reel | Packing (Reel/Caton) |
|----------|--------|--------|-----------|----------------------|
| 02PIN | 5.50 | 12 | 1500PCS | 25/Reel |
| 03~06PIN | 7.50 | 16 | 1500PCS | 20/Reel |
| 14PIN | 11.50 | 24 | 1500PCS | 15/Reel |

包装说明:

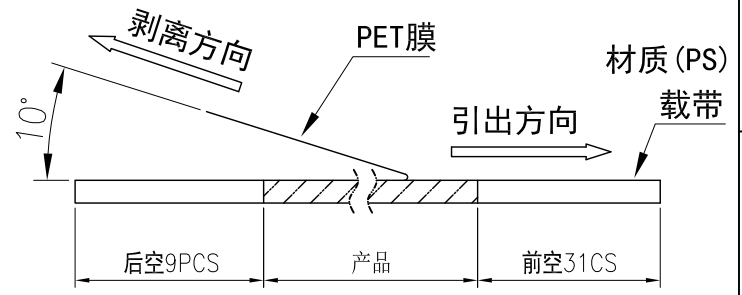
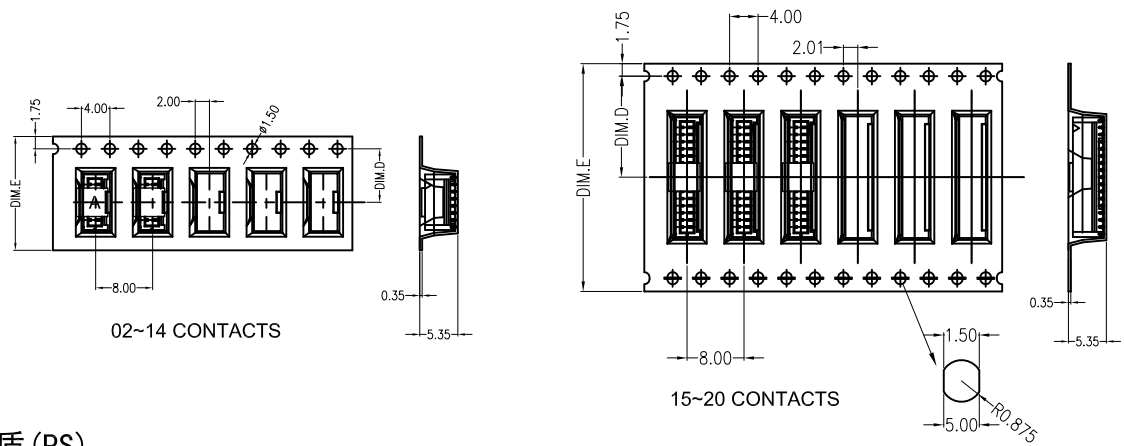
- 把成品包入卷盘中，每盘装1500PCS，卷盘上贴上合格证，将装好产品的卷盘放进外箱中，外箱内先套一个大PE袋，外箱上贴贴上合格证。
- 所有材料有害物控制需符合RoHS标准。

东莞市高迪电子有限公司
DONG GUAN GAO DI ELECTRONICS CO., LTD

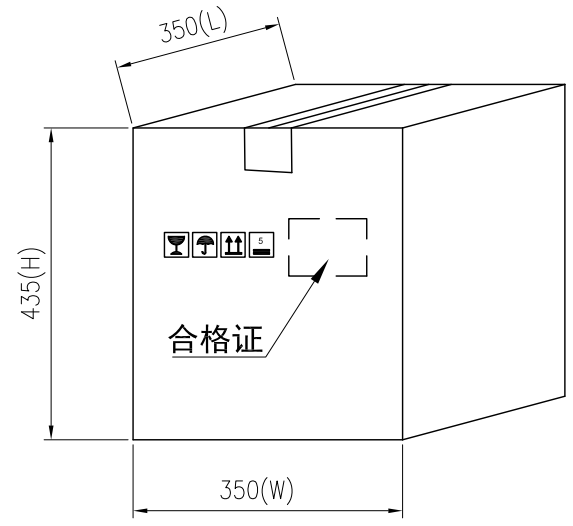
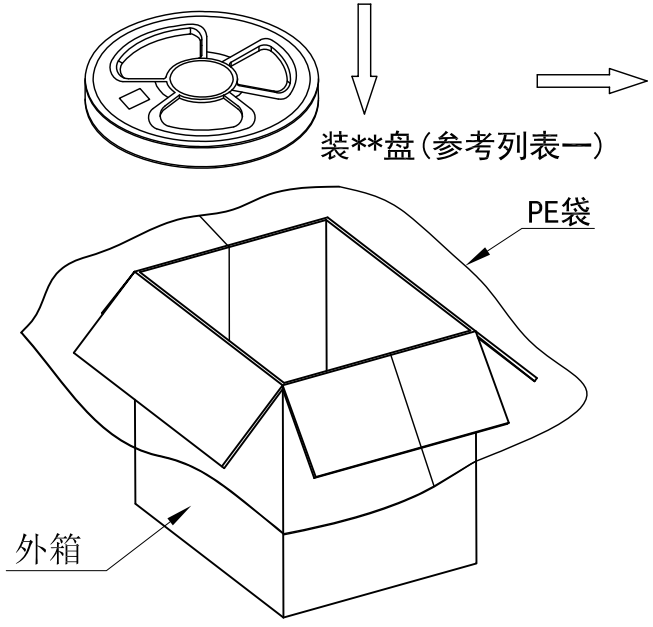
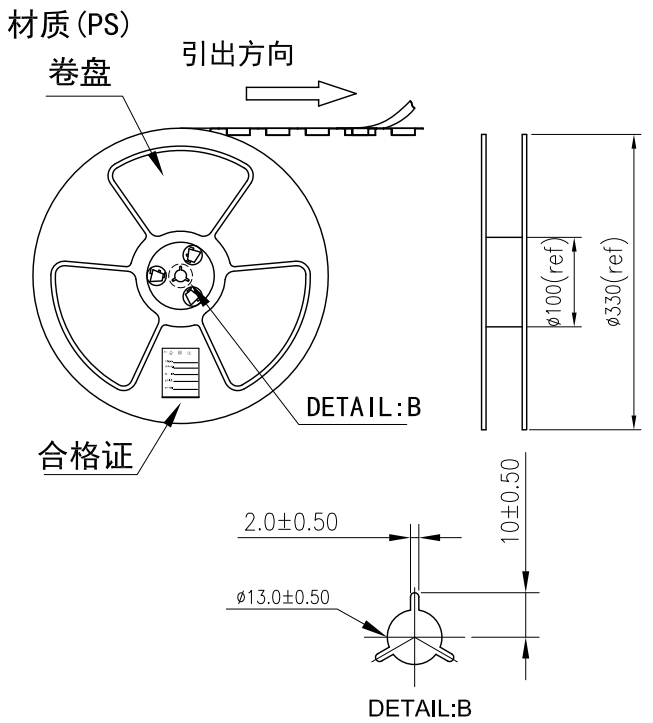
| | | | |
|-----------|-------|-----------|-------------|
| X.± 0.5 | X.±' | USE: | MANUFACTURE |
| .X± 0.3 | .X±' | APPD: 张忠永 | |
| .XX±0.25 | .XX±' | CHKD: 蒋建银 | |
| -- | -- | DR: 陈志明 | |
| UNITS: mm | | | |

| | |
|-------------------------|-------------|
| TITLE: A1007AWR | |
| PART NO.: A1007AWR 卷装规范 | |
| DWG NO.: GCBZ-0814 | |
| SCALE 1 : 1 | SHEET 1 / 1 |

| REV | ECN No. | DESCRIPTION | DESIGN | DATE |
|-----|---------|-------------|--------|------------|
| A | | Release | 蒋建银 | 2020.09.21 |



(PET膜剥离示意图)



列表一

| Circuits | DIM. D | DIM. E | Q'ty/Reel | Packing (Reel/Caton) |
|----------|--------|--------|-----------|----------------------|
| 02~03PIN | 5.50 | 12 | 1500PCS | 25/Reel |
| 04~06PIN | 7.50 | 16 | 1500PCS | 20/Reel |
| 07~14PIN | 11.50 | 24 | 1500PCS | 15/Reel |
| 15~20PIN | 14.20 | 32 | 1500PCS | 11/Reel |

包装说明:

- 把成品包入卷盘中，每盘装1500PCS，卷盘上贴上合格证，将装好产品的卷盘放进外箱中，外箱内先套一个大PE袋，外箱上贴贴上合格证。
- 所有材料有害物控制需符合RoHS标准。

东莞市高迪电子有限公司
DONG GUAN GAO DI ELECTRONICS CO., LTD

| | | |
|----------|-----------|------------------|
| X.± 0.5 | X.±' | USE: MANUFACTURE |
| .X± 0.3 | .X±' | APPD: 王锋 |
| .XX±0.25 | .XX±' | CHKD: 方松乐 |
| -- | -- | DR: 蒋建银 |
| | UNITS: mm | |

| |
|-------------------------|
| TITLE: A1007AWV |
| PART NO.: A1007AWV 卷装规范 |
| DWG NO.: GCBZ-0877 |
| SCALE 1 : 1 |
| SHEET 1 / 1 |