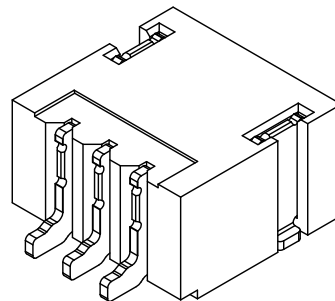
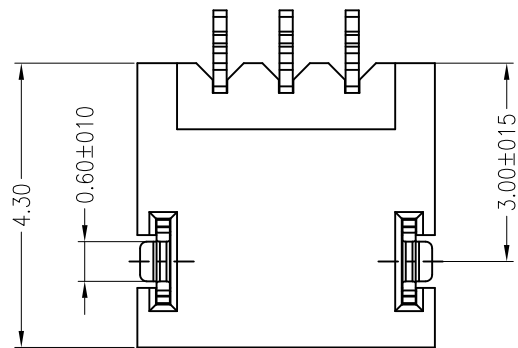
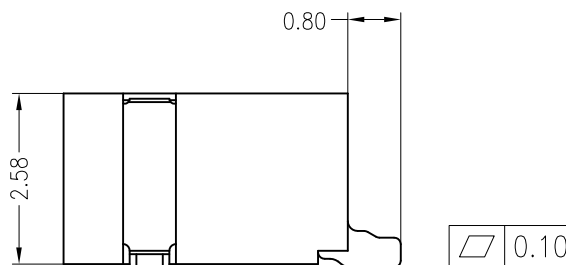
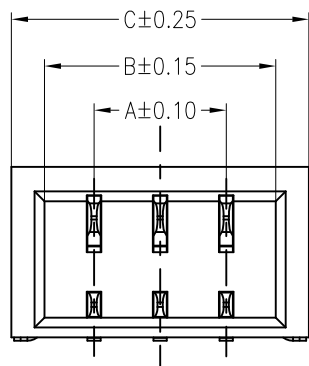


REV	DESCRIPTION	DESIGN	DATE
A0	NEW RELEASE	Steven	2019/09/18

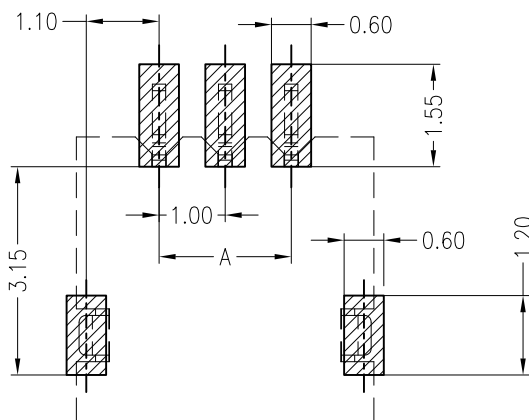
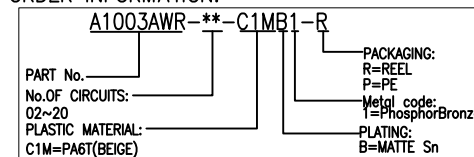


**Specifications:**

Poles: 02 to 20  
 Contact resistance:  $\leq 20m\Omega$   
 Insulation resistance:  $\geq 100M\Omega$   
 Rated voltage: 125V AC DC  
 Rated current: 1.0A AC DC  
 Withstand Voltage: 500V AC/minute  
 Temperature Range:  $-25^{\circ}C \sim +85^{\circ}C$   
 Housing: PA6T UL94V-0, Natural  
 Contacts: Phosphor Bronze/Matte Sn-plated  
 Solder Tabs: Brass/Matte Sn-plated



**ORDER INFORMATION:**



PCB LAYOUT(Tolerance:  $\pm 0.05$ )

孔位	尺寸	A	B	C	孔位	尺寸	A	B	C
2P		1.00	2.50	3.50	12P		11.00	12.5	13.5
3P		2.00	3.50	4.50	13P		12.00	13.5	14.5
4P		3.00	4.50	5.50	14P		13.00	14.5	15.5
5P		4.00	5.50	6.50	15P		14.00	15.5	16.5
6P		5.00	6.50	7.50	16P		15.00	16.5	17.5
7P		6.00	7.50	8.50	17P		16.00	17.5	18.5
8P		7.00	8.50	9.50	18P		17.00	18.5	19.5
9P		8.00	9.50	10.5	19P		18.00	19.5	20.5
10P		9.00	10.50	11.5	20P		19.00	20.5	21.5
11P		10.00	11.50	12.5					

**東莞市高迪電子有限公司**  
 DONG GUAN GAO DI ELECTRONICS CO., LTD

TITLE: 1.0 Pitch Wafer 90° SMT

GENERAL TOLERANCE		USE:	CUSTOMER
X. $\pm 0.50$	X. $\pm 5^{\circ}$	APPD:	
X.X $\pm 0.30$	X.X $\pm 2^{\circ}$		Wangliang
X.XX $\pm 0.20$	X.XX $\pm 1^{\circ}$	CHKD:	Liuzhengling
		UNITS:	DR: Steven
		mm	

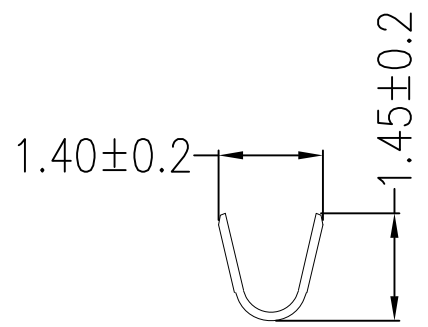
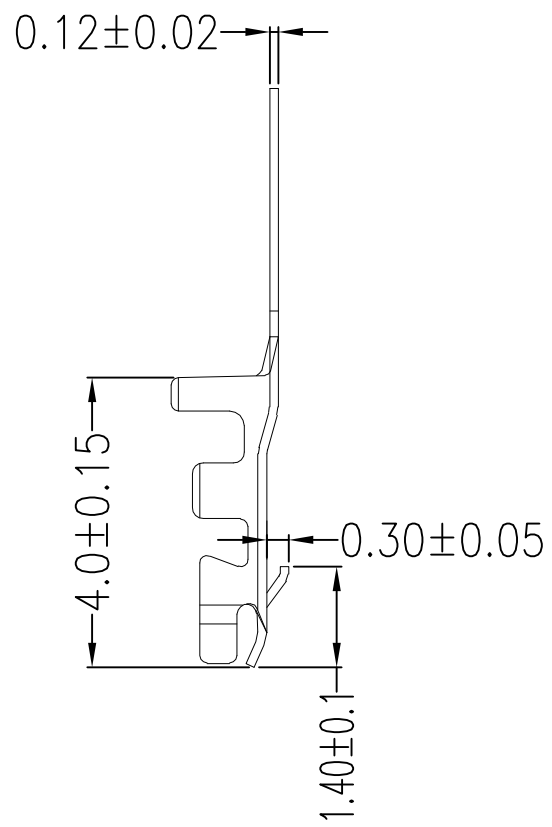
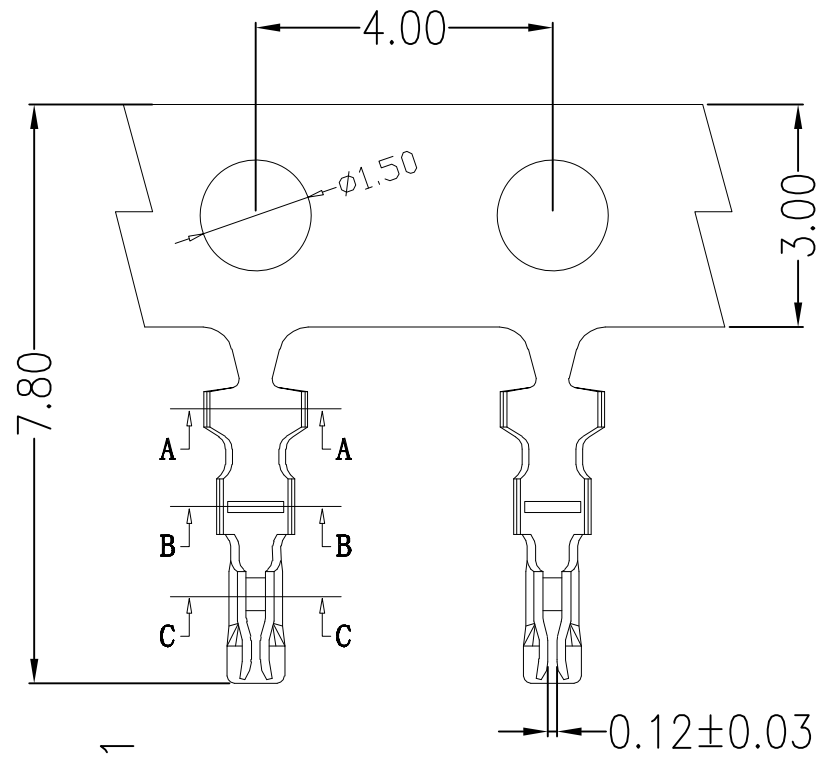
PART NO.: A1003AWR-\*\*-C1MB1-R

DWG NO.: GCCP-0689

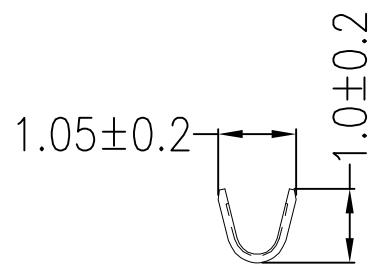
SCALE: 1 : 1

SHEET: 1 / 1

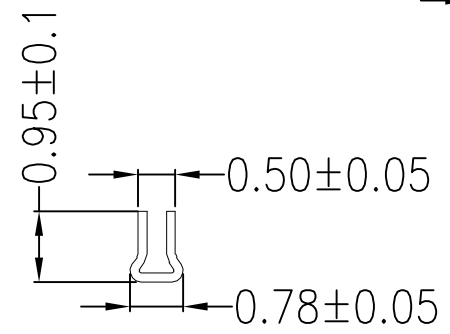
REV	ECN No.	DESCRIPTION	DESIGN	DATE
A0		Release	蒋建银	2018.05.30



Section A-A



Section B-B



Section C-C

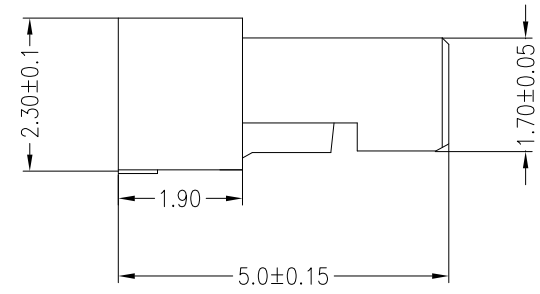
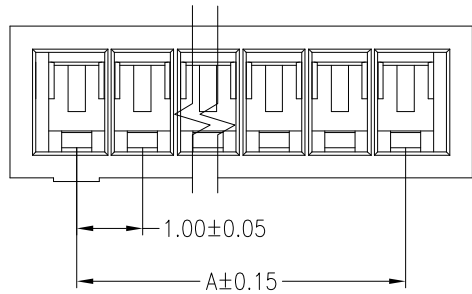
Ordering Information & Specification:

Part No	Wire Range	Insulation O.D.	Material	Finish	Qty/Reel
A1003T-PA	AWG #28~#32	0.4~0.8mm	Phosphor bronze	Sn-plated	
<b>东莞市高迪电子有限公司</b> DONG GUAN GAO DI ELECTRONICS CO., LTD				TITLE: NH-T 端子	
X.±0.1	X.±1'	USE:	MANUFACTURE		
.X±0.05	.X±0.5'	APPD:	刘振岭		
.XX±0.01	.XX±0.1'	CHKD:	王亮		
.XXX±0.005	.XXX±0.05'	DR:	蒋建银		
UNITS: mm		SCALE		SHEET	
		1 : 1		1 / 1	

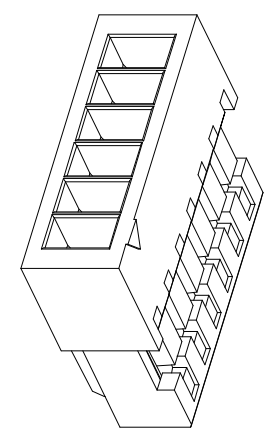
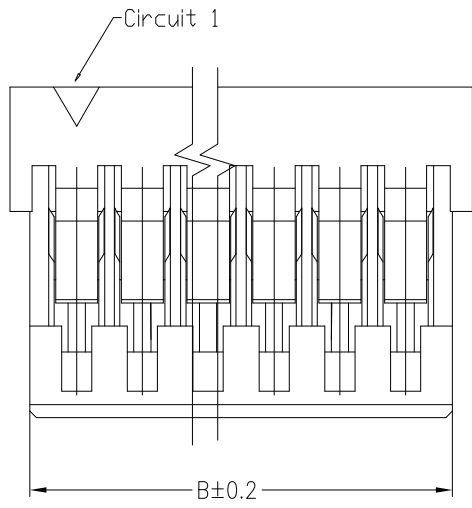
PART NO.: A1003T 端子  
 DWG NO.: GCDZ-0086

REV	DESCRIPTION	DESIGN	DATE
A0	NEW RELEASE	Steven	2019/05/09

线数 (N)	尺寸 mm	
	A	B
2	1.00	2.40
3	2.00	3.40
4	3.00	4.40
5	4.00	5.40
6	5.00	6.40
7	6.00	7.40
8	7.00	8.40
9	8.00	9.40
10	9.00	10.40
11	10.00	11.40
12	11.00	12.40
13	12.00	13.40
14	13.00	14.40
15	14.00	15.40



Specifications:  
 Poles: 02 to 15  
 Contact resistance:  $\leq 20m\Omega$   
 Insulation resistance:  $\geq 100M\Omega$   
 Rated voltage: 125V AC DC  
 Rated current: 1.0A AC DC  
 Withstand Voltage: 500V AC/minute  
 Temperature Range:  $-25^{\circ}C \sim +85^{\circ}C$   
 Housing: PA66 UL94V-0, Natural



ORDER INFORMATION:

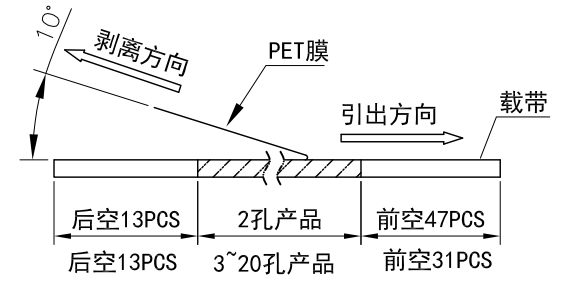
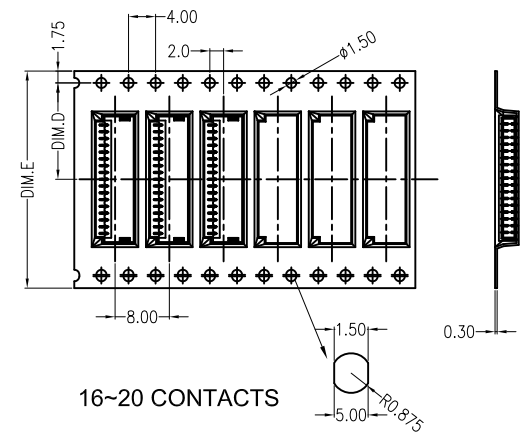
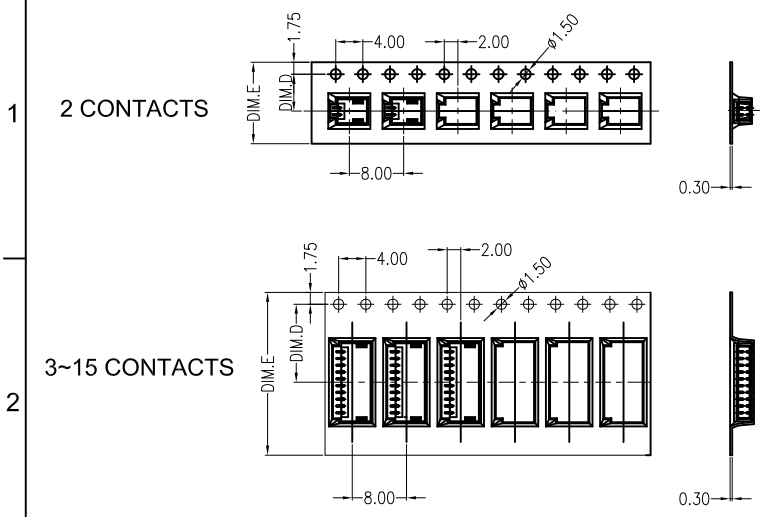
A1003Y-\*\*-A5W-P

PART No. \_\_\_\_\_  
 No.OF CIRCUITS: \_\_\_\_\_  
 \*\* \_\_\_\_\_  
 PLASTIC MATERIAL: \_\_\_\_\_  
 A5W=PA66(WHITE)

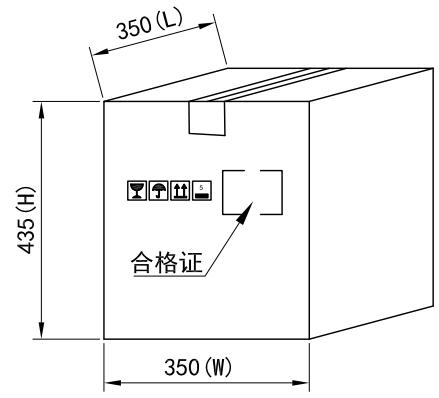
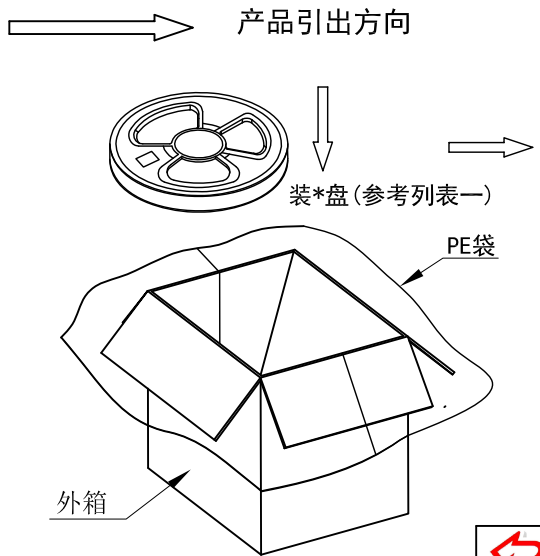
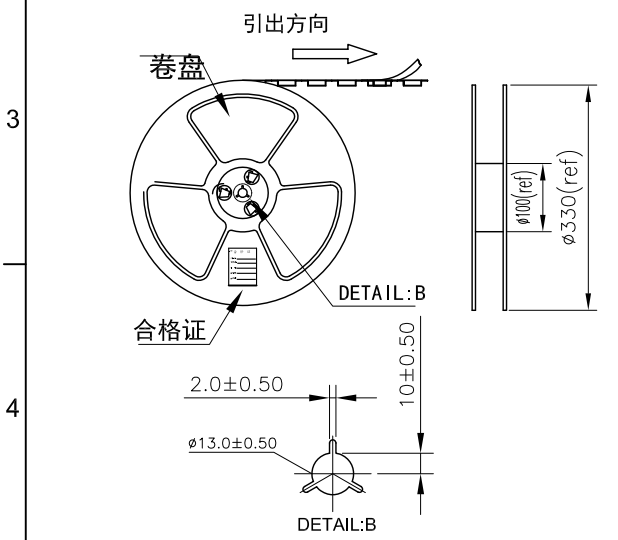
PACKAGING:  
 P=PE

<b>東莞市高迪電子有限公司</b> DONG GUAN GAO DI ELECTRONICS CO., LTD		TITLE: 1.0 Pitch HOUSING	
		PART NO.: A1003Y-**-A5W-P	
GENERAL TOLERANCE		USE: CUSTOMER	
X. $\pm 0.50$	X. $\pm 5^{\circ}$	APPD: Wangliang	
X.X $\pm 0.30$	X.X $\pm 2^{\circ}$	CHKD: Zenglingqing	
X.XX $\pm 0.20$	X.XX $\pm 1^{\circ}$	DR: Steven	
UNITS: mm		SCALE 1 : 1	SHEET 1 / 1

REV	ECN No.	DESCRIPTION	DESIGN	DATE
A		Release	陈志明	2021.3.12



(PET膜剥离示意图)



列表一

Circuits	DIM. D	DIM. E	Q'ty/Reel	Packing (Reel/Caton)
2 PIN	5.5	12	3000PCS	25/Reel
3~7PIN	7.5	16	2500PCS	20/Reel
8~15PIN	11.5	24	2500PCS	15/Reel
16~20PIN	14.2	32	2500PCS	11/Reel

包装说明:  
 1. 把成品包入卷盘中, 每盘装2500PCS(2孔3000PCS), 卷盘上贴上合格证, 将装好产品的卷盘放进外箱中, 外箱内先套一个大PE袋, 外箱上贴贴上合格证。  
 2. 所有材料有害物控制需符合RoHS标准。

东莞市高迪电子有限公司  
 DONG GUAN GAO DI ELECTRONICS CO., LTD

X.±0.5	X.±'	USE:	MANUFACTURE
.X±0.3	.X±'	APPD:	王锋
.XX±0.25	.XX±'	CHKD:	曾令青
--	--	DR:	蒋建银
		UNITS:	mm

TITLE:	
PART NO.:	
A1003WR卷装规范	
DWG NO.:	
GCBZ-0689	
SCALE	SHEET
1 : 1	1 / 1