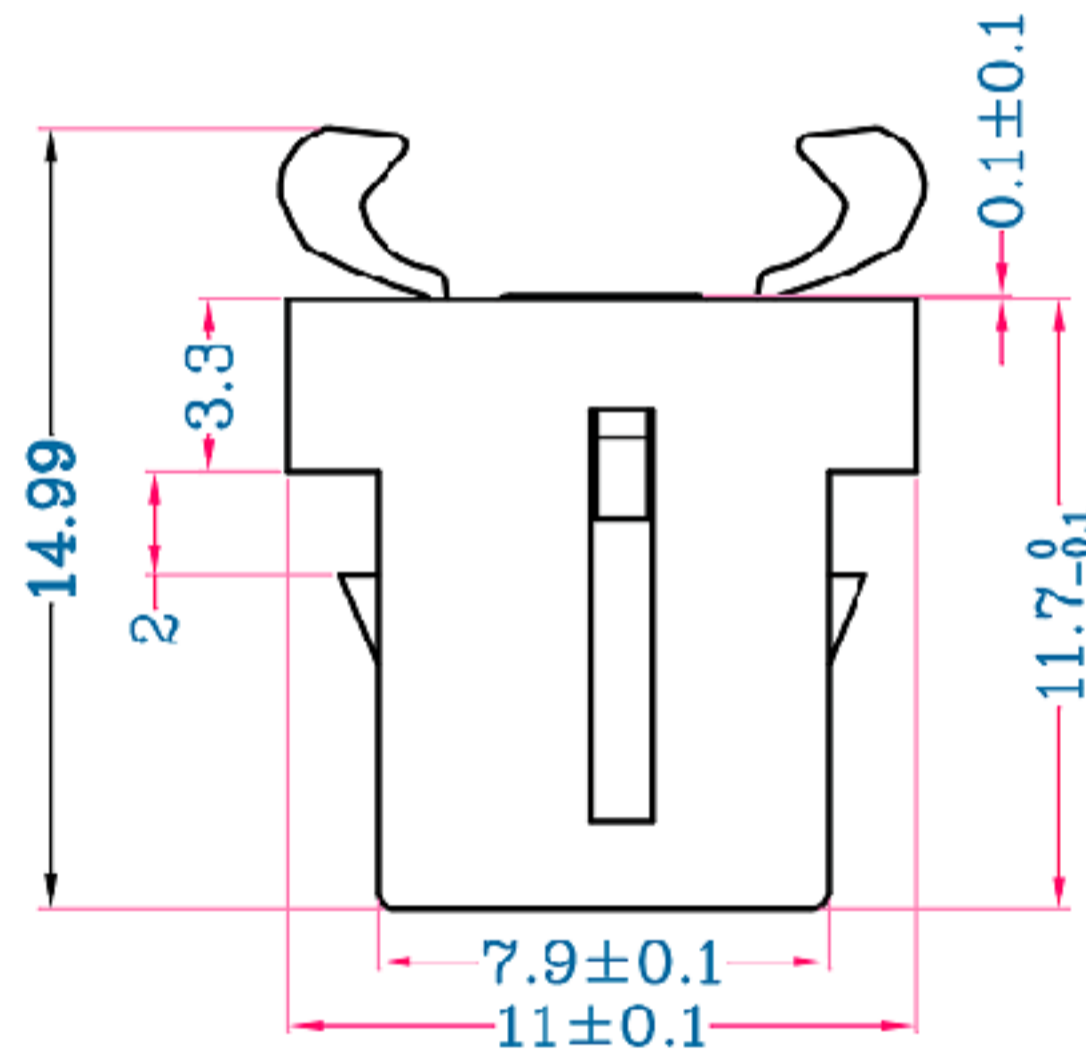
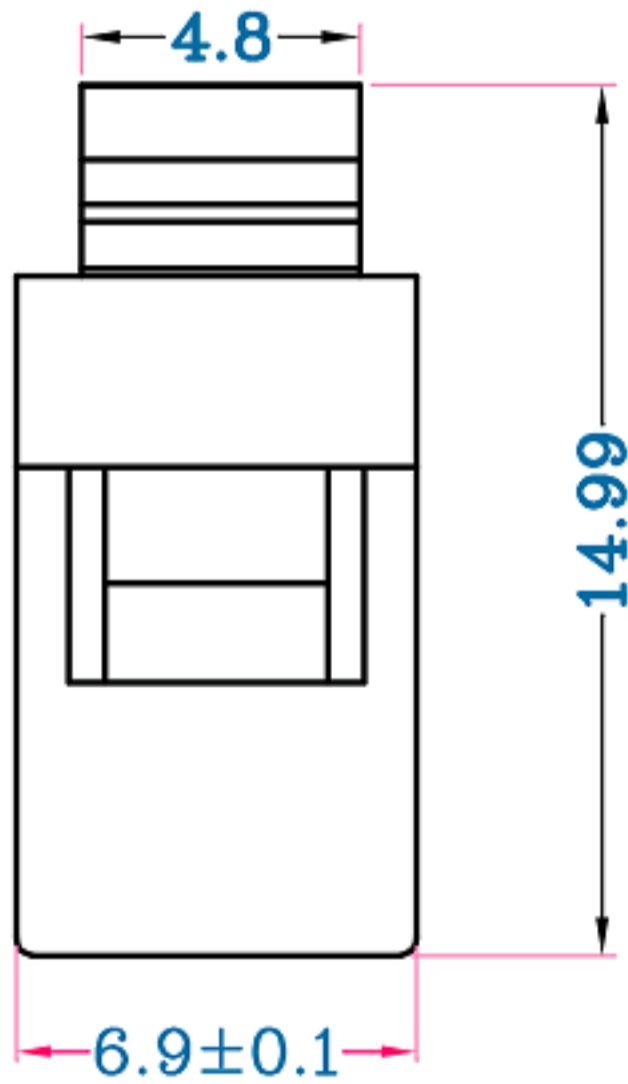
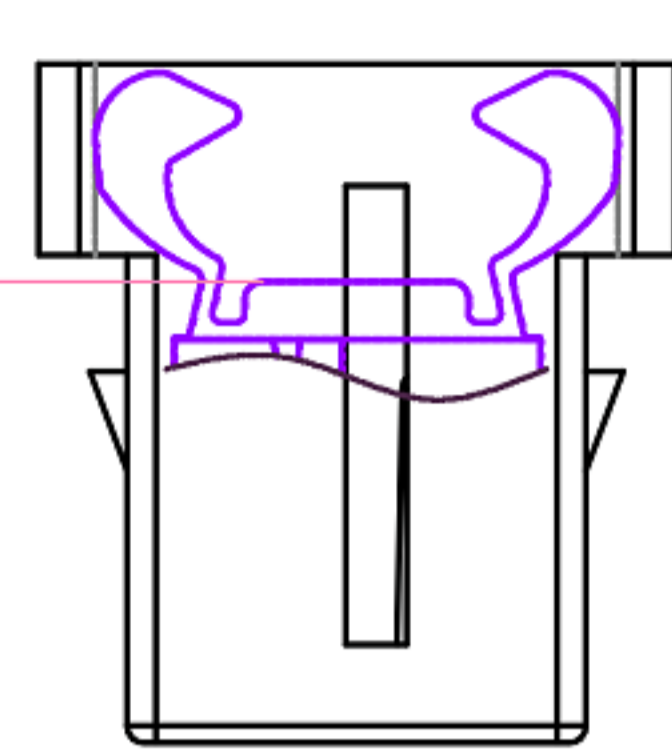
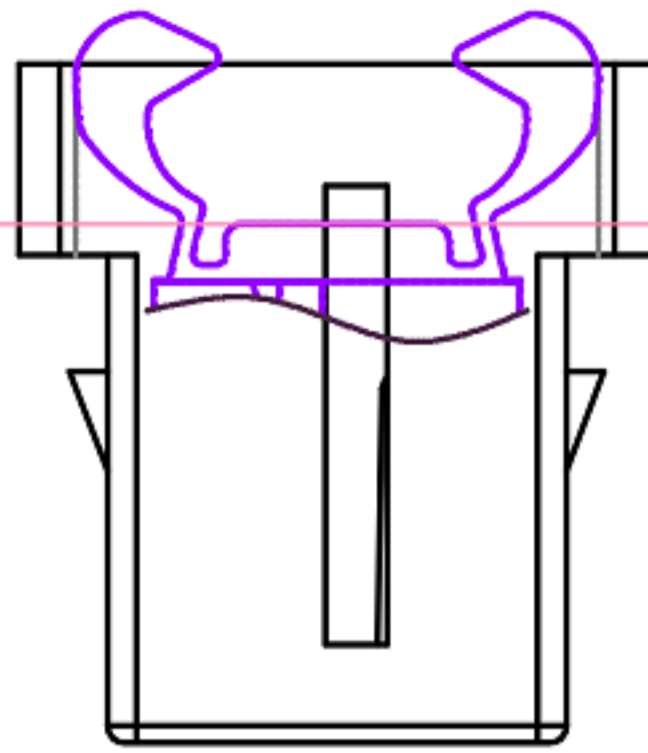
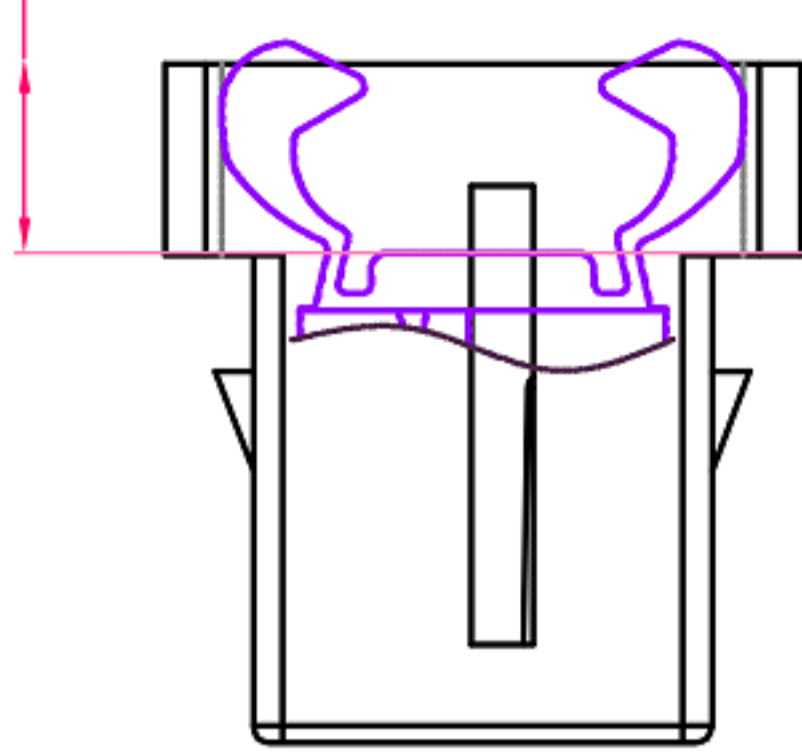


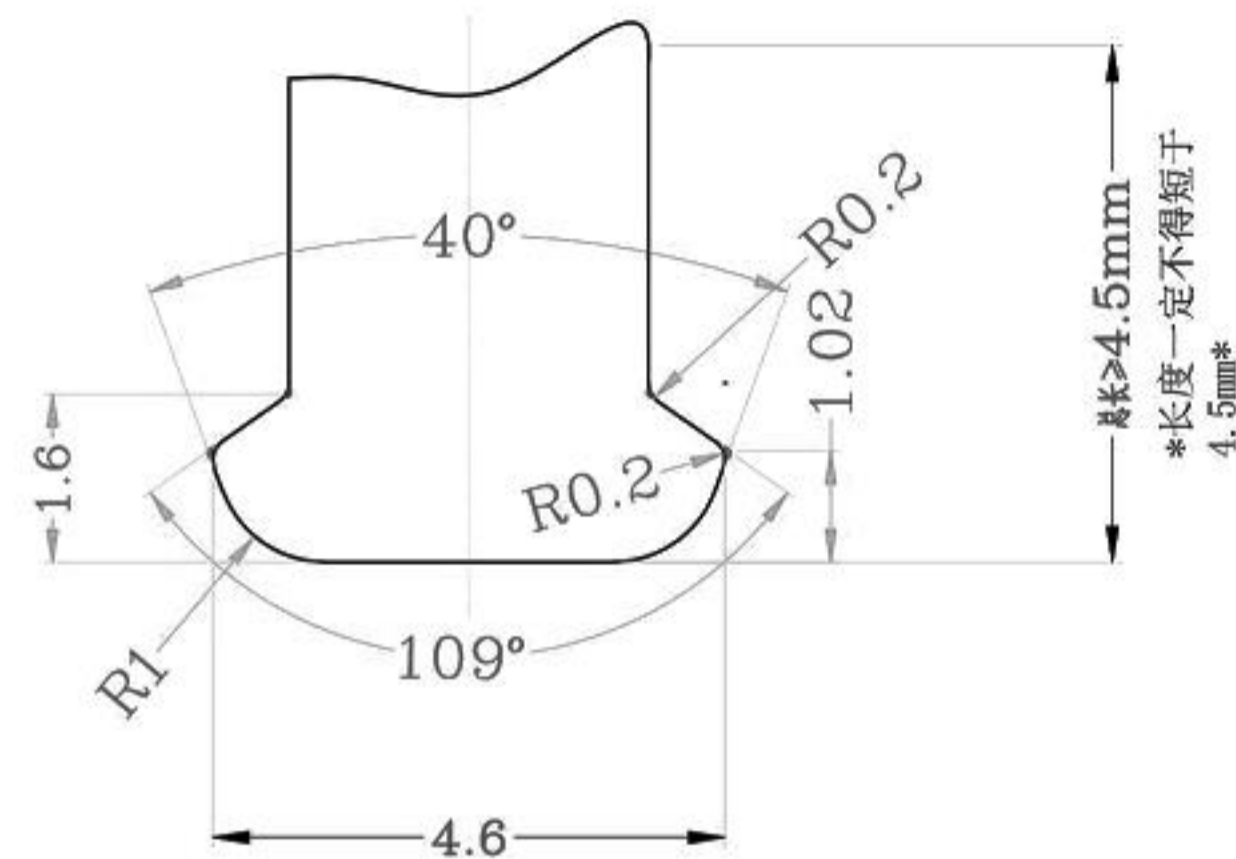
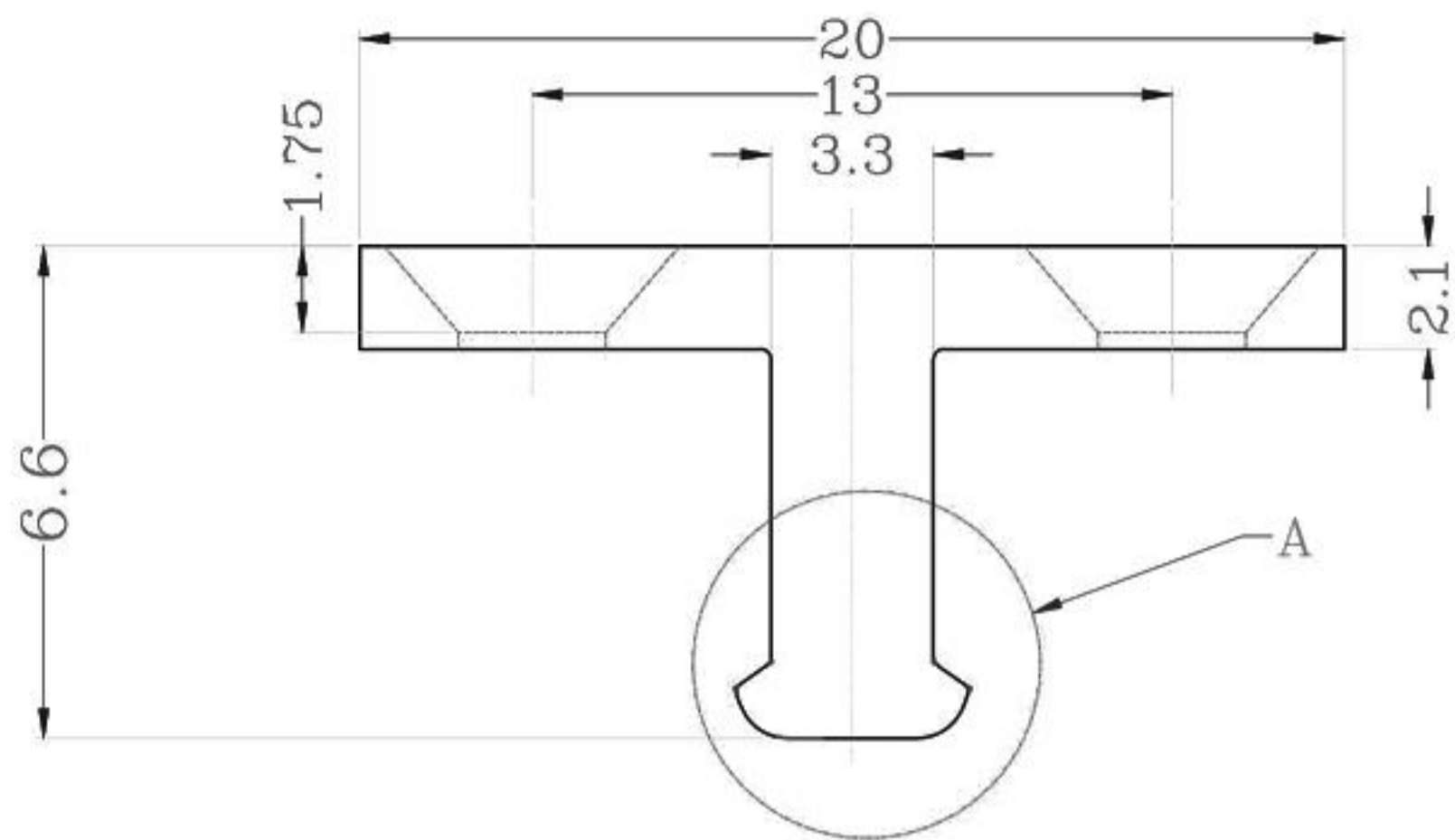
下压约3.6mm达到锁定行程

回弹约1.0mm呈锁定状态

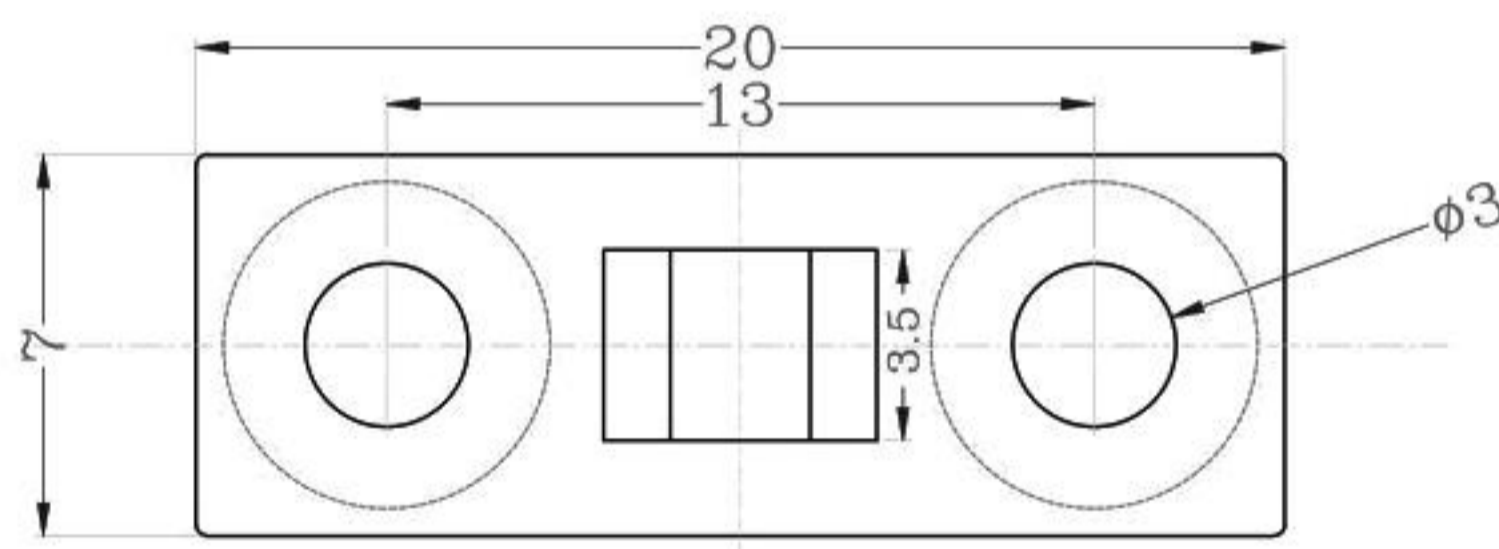
继续下压约1.0mm达到开锁行程



TITLE	DOOR LATCH SWITCH	DRAWN		TOLERANCE OTHERWISE UNLESS SPECIFIED	8					
PART NO.	Lock switch	CHECKED		UP TO 5	±0.2	6				
DRAW NO.		APPROVED		ABOVE 5 ~ 30	±0.3	5				
SCALE: 2:1	UNIT: mm	DATE:		ABOVE 30 ~ 50	±0.4	4				
				ABOVE 50	±0.5	3	SPRING	SUS	1 Ni PLATED	
				ANGLE	±3°	2	HOUSING	POM	1 BLACK	
						1	SLIDER	PA12	1 BLACK	
						NO.	PARTS	MATERIAL	QTY. FINISHING	
							DONG GUAN GAODI ELECTRONICS CO., LTD.			



A
2:1



TITLE	DOOR LATCH SWITCH	DRAWN		TOLERANCE OTHERWISE UNLESS SPECIFIED	8				
PART NO.	Lock switch	CHECKED		UP TO 5	±0.2	6			
DRAW NO.	GD-PR-20T	APPROVED		ABOVE 5 ~ 30	±0.3	5			
SCALE: 2:1	UNIT: mm	DATE:		ABOVE 30 ~ 50	±0.4	4			
				ABOVE 50	±0.5	3	SPRING	SUS	1 Ni PLATED
				ANGLE	±3'	2	HOUSING	POM	1 BLACK
						1	SLIDER	PA12	1 BLACK
						NO.	PARTS	MATERIAL	QTY. FINISHING
DONG GUAN GAODI ELECTRONICS CO., LTD.									

東莞市高迪電子有限公司