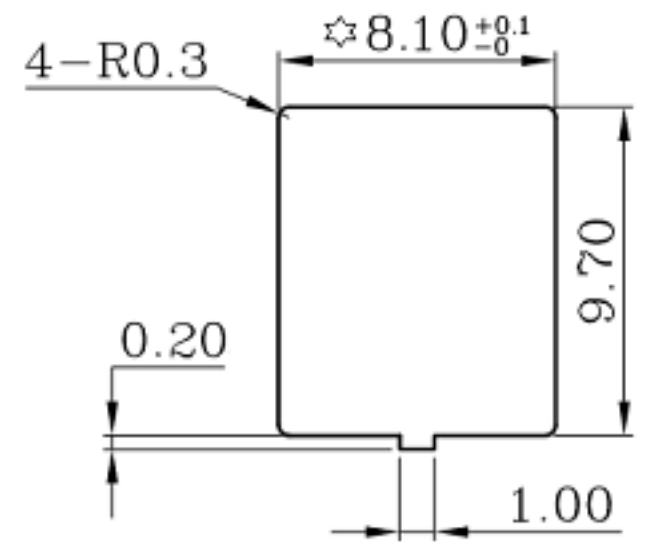
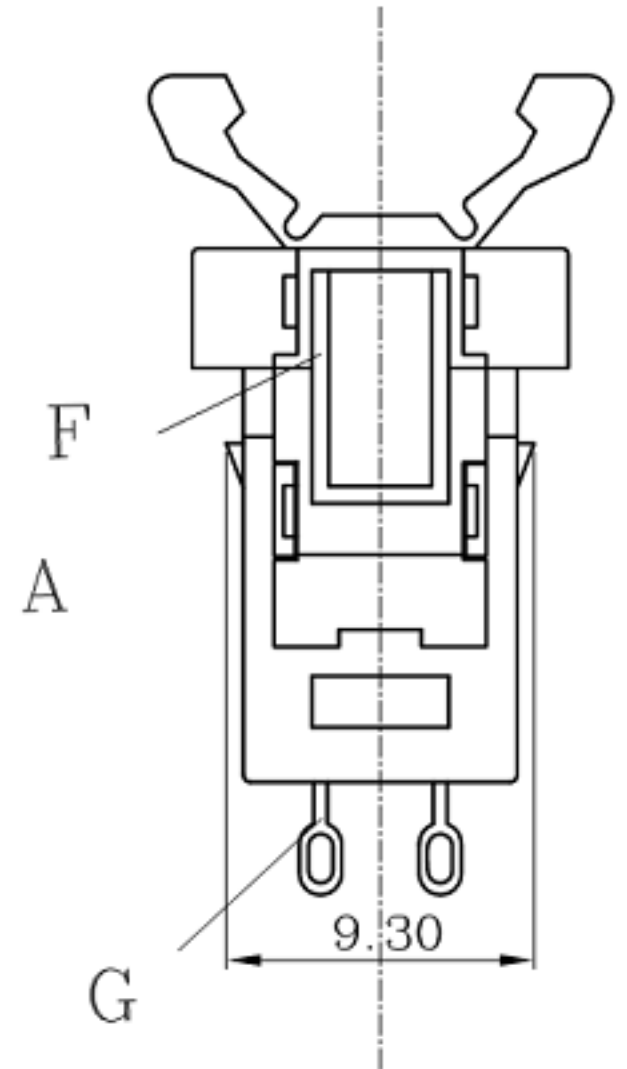
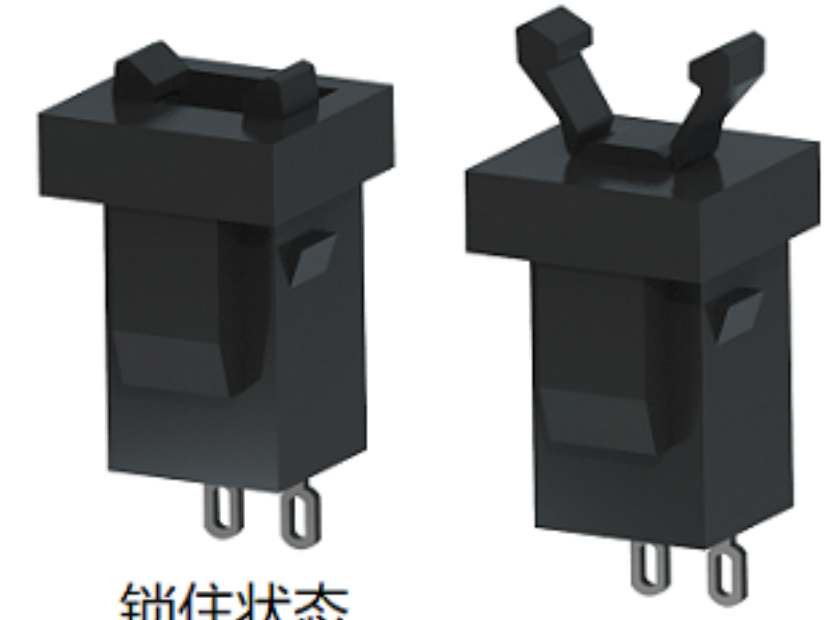


下压锁止行程: 5.4mm
解锁行程: 1.5mm



建议安装孔尺寸



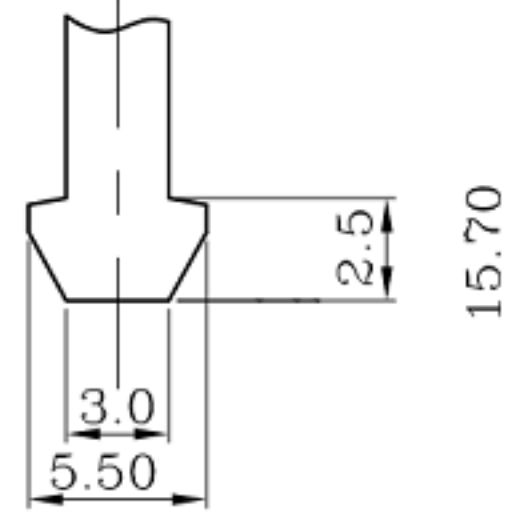
锁住状态

解锁状态




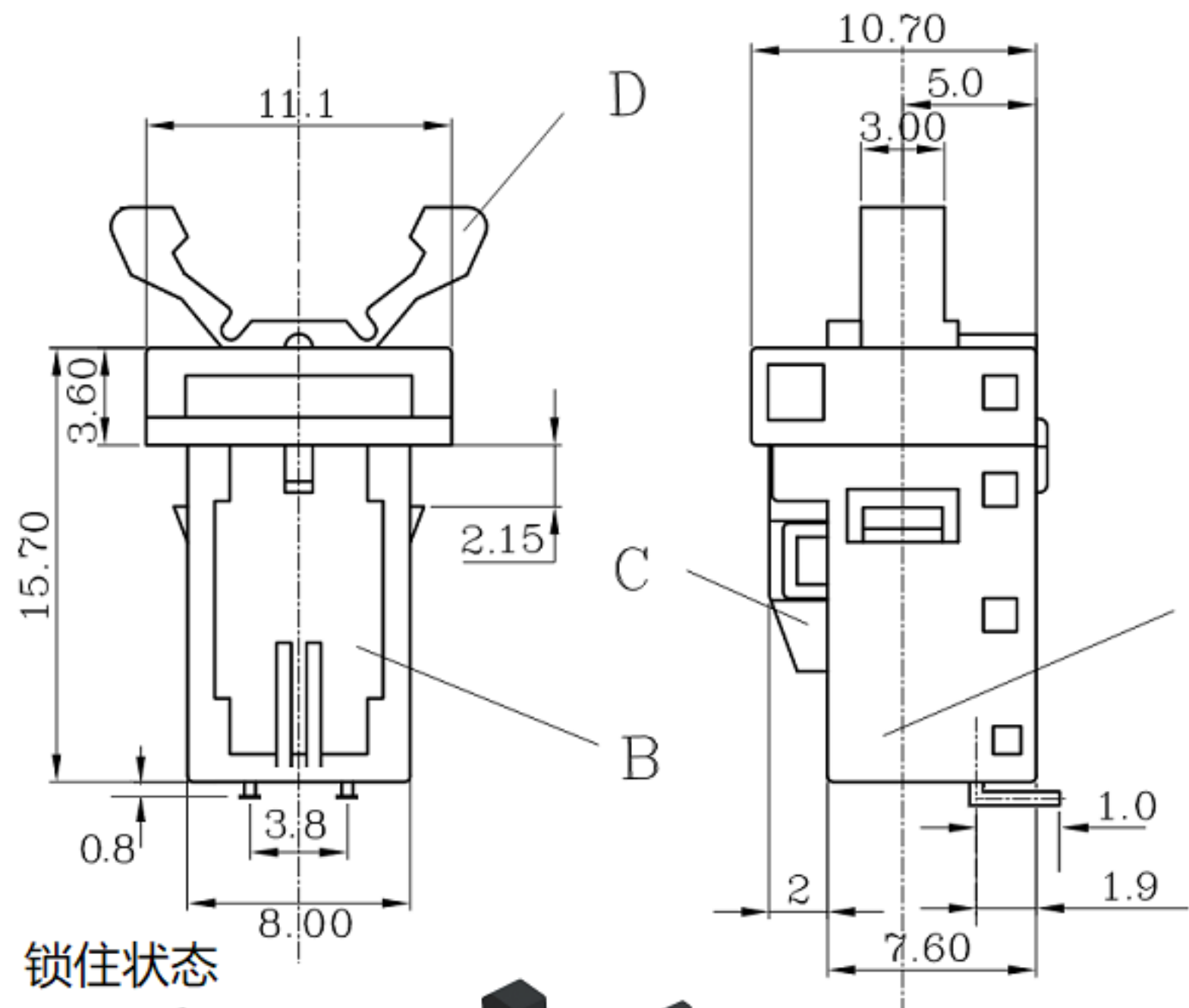
电路图

建议挂钩尺寸

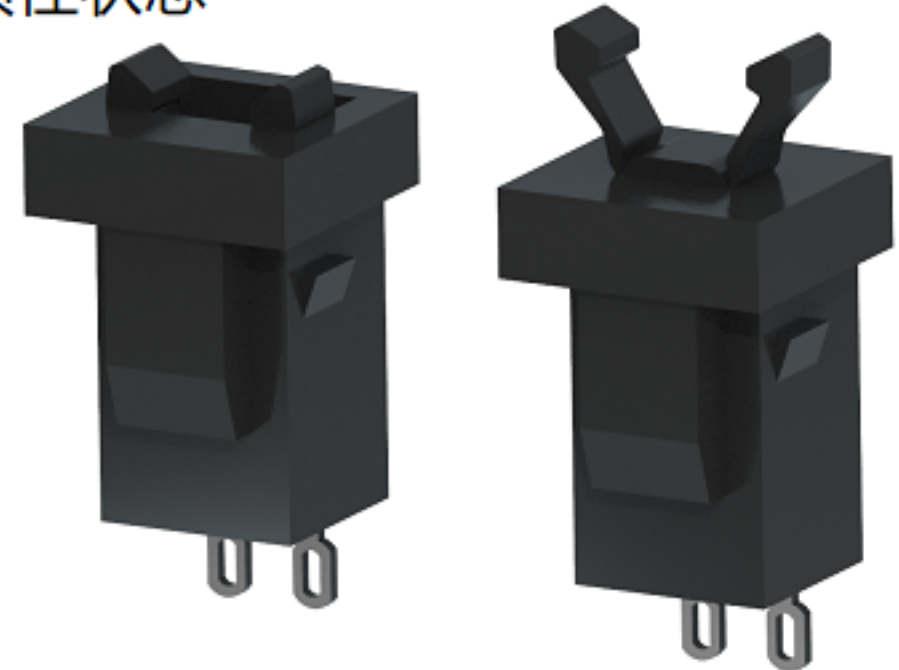


产品构造			
A	外壳	PA66	零部件
B	盖板	PBT	
C	压簧片	POM	
D	推轴	PA6	
E	接触簧	磷铜镀银	
F	钩针	钢丝	
G	接脚	黄铜镀银	
H	弹簧	T9A镀镍	

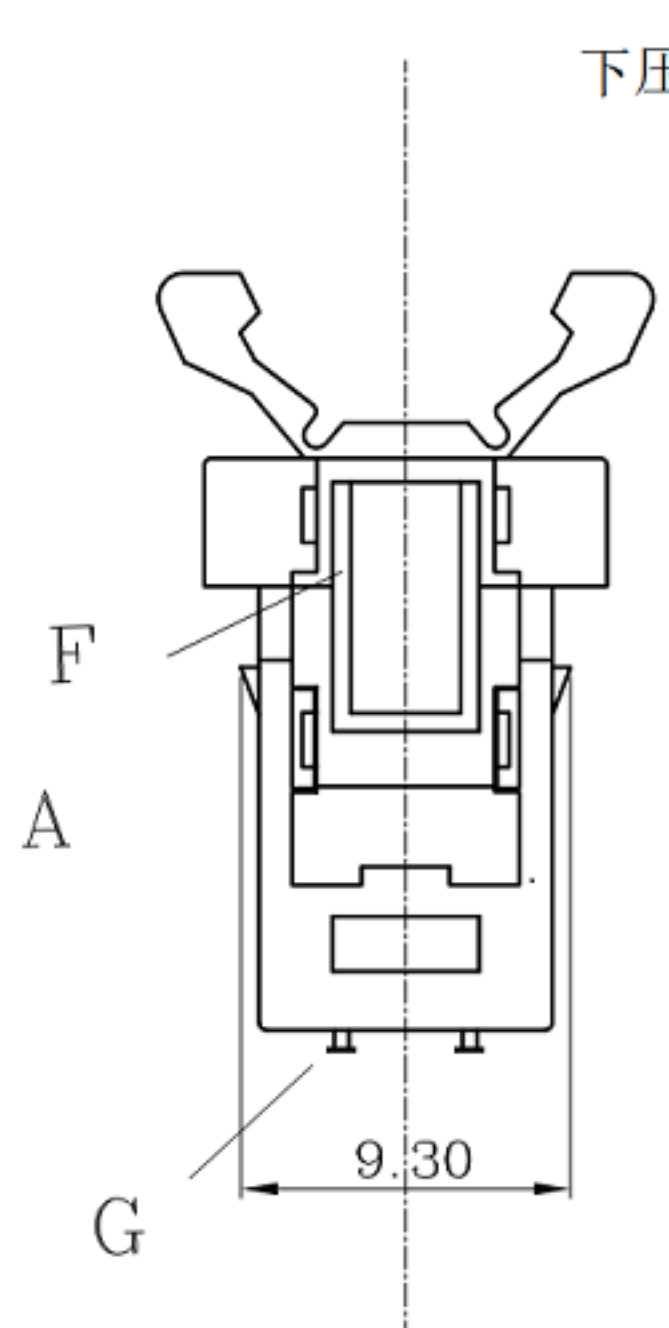
TITLE	DOOR LATCH SWITCH	DRAWN		TOLERANCE OTHERWISE UNLESS SPECIFIED	8				
PART NO.	Lock switch	CHECKED		UP TO 5	±0.2	6			
DRAW NO.	GD-PR-2	APPROVED		ABOVE 5 ~ 30	±0.3	5			
SCALE: 2:1	UNIT: mm	DATE:		ABOVE 30 ~ 50	±0.4	4			
				ABOVE 50	±0.5	3	SPRING	SUS	1 Ni PLATED
				ANGLE	±3°	2	HOUSING	POM	1 BLACK
						1	SLIDER	PA12	1 BLACK
						NO.	PARTS	MATERIAL	QTY. FINISHING
 东莞市高迪电子有限公司									
DONG GUAN GAODI ELECTRONICS CO., LTD.									



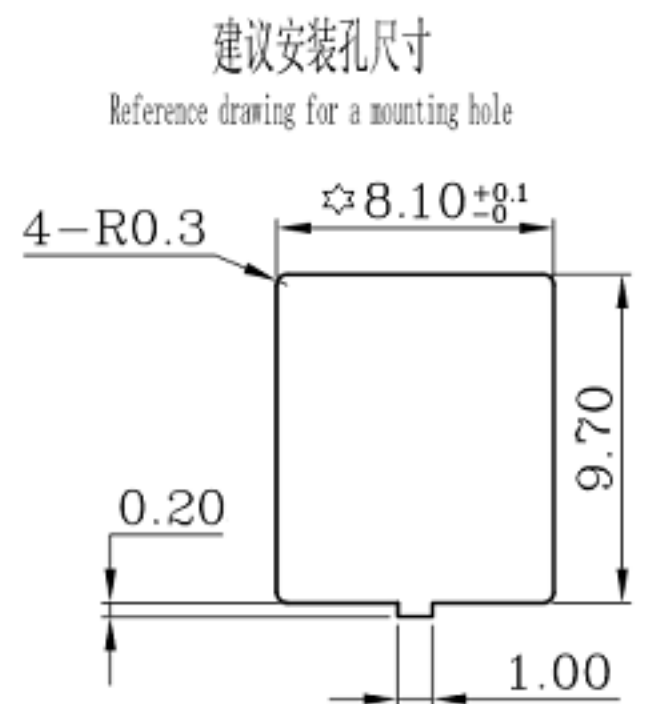
锁住状态



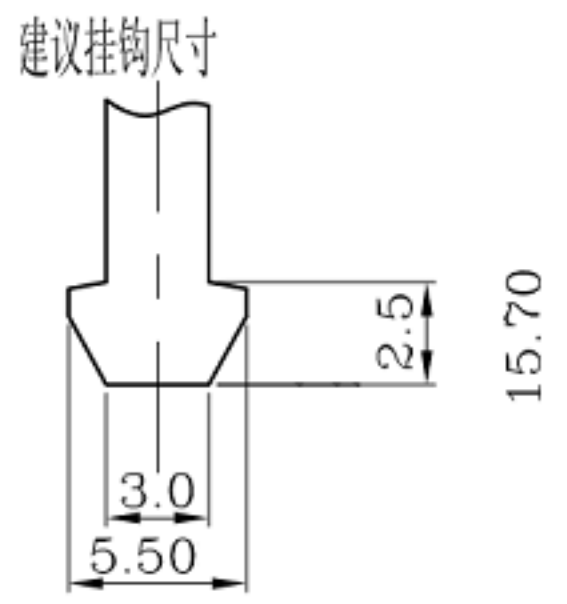
解锁状态




下压锁止行程: 5.4mm
解锁行程: 1.5mm

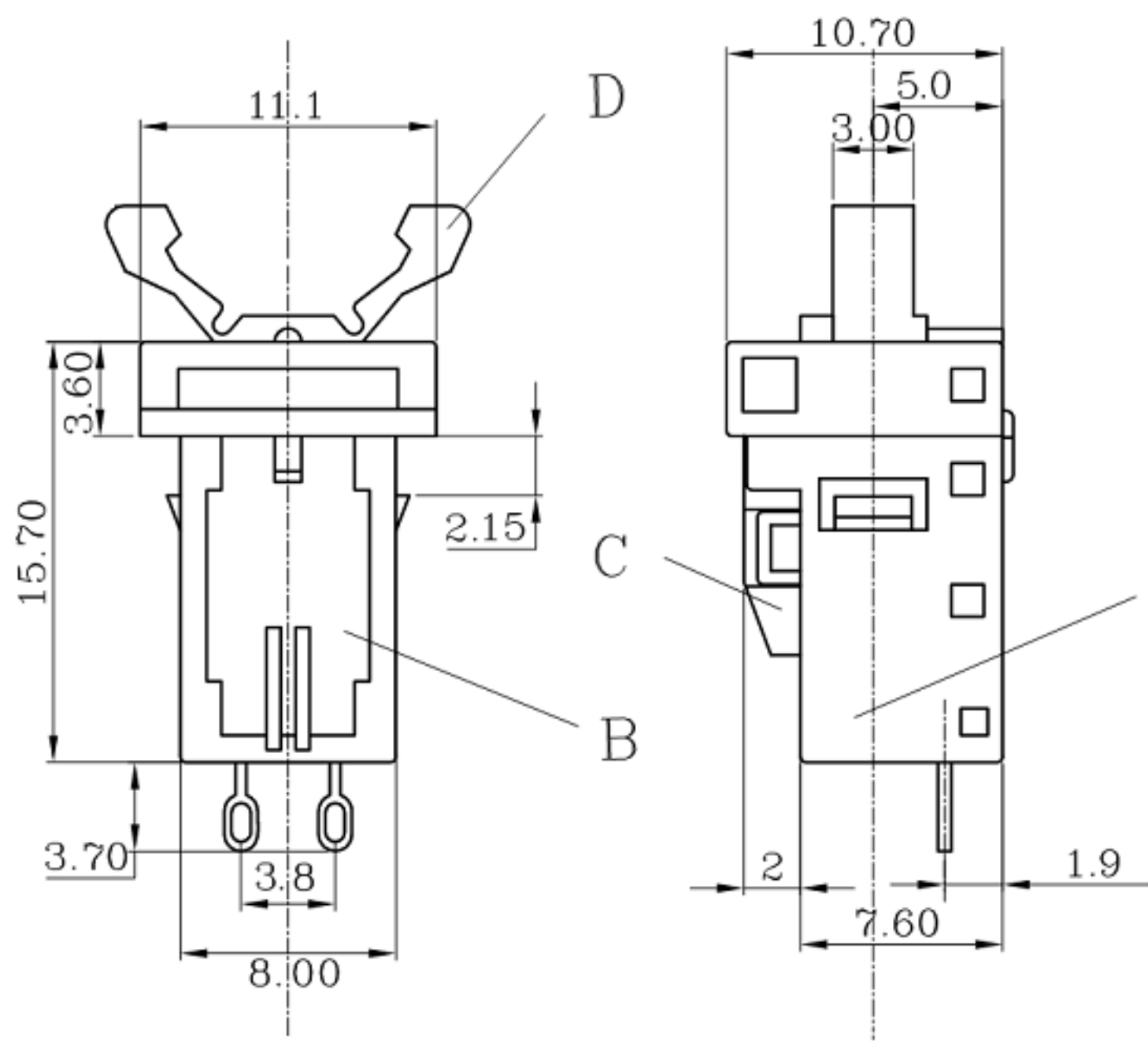


电路图

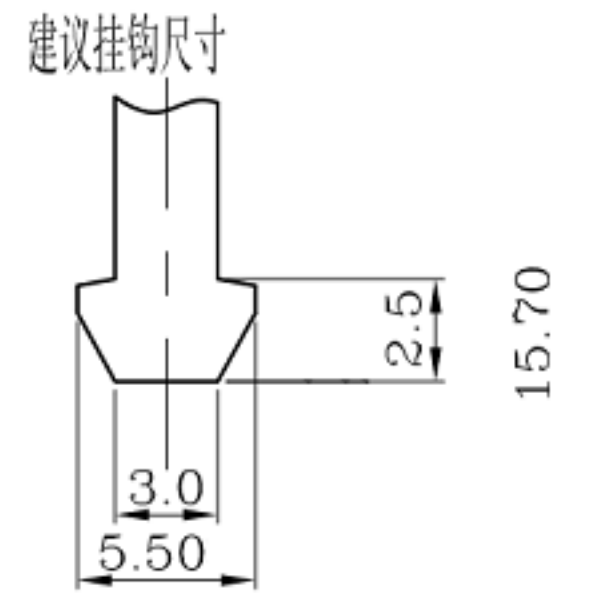
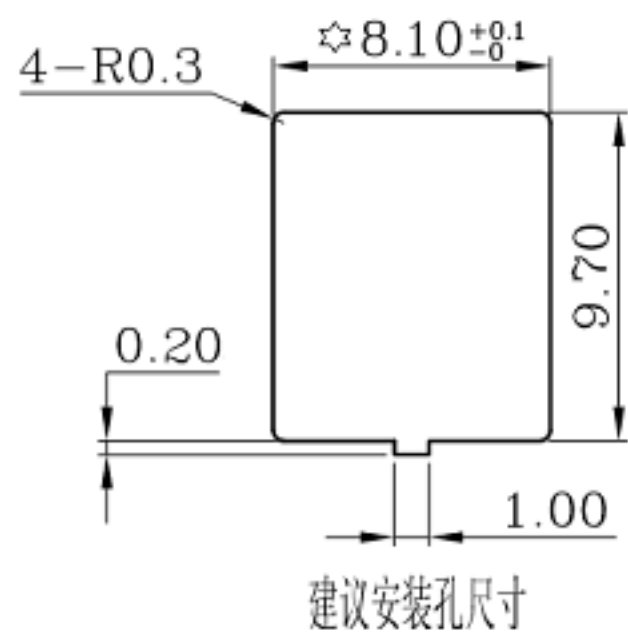
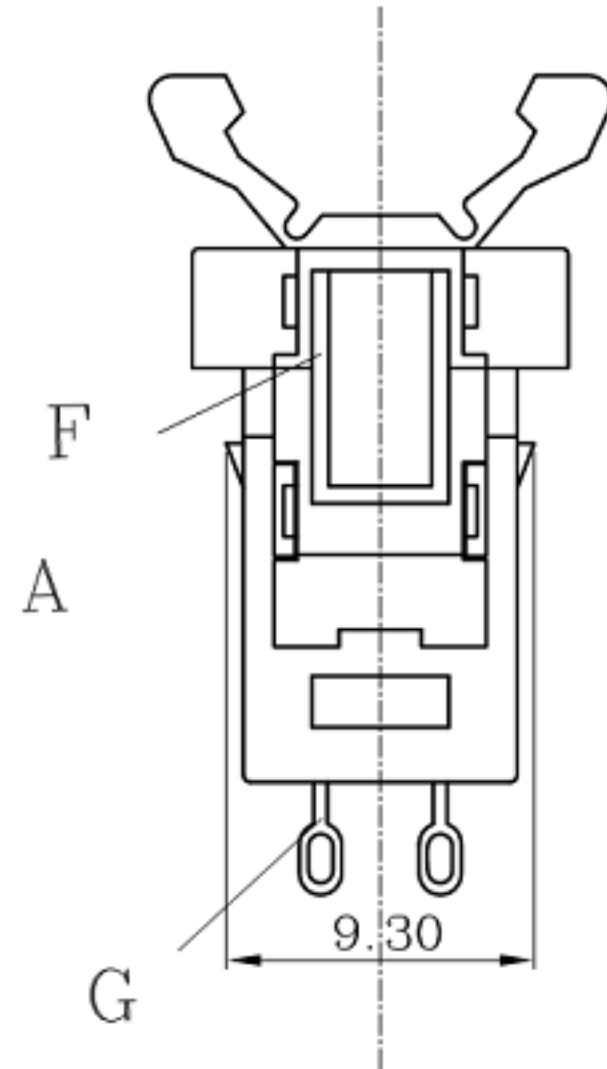


产品构造			
A	外壳	PA66	零部件
B	盖板	PBT	
C	压簧片	POM	
D	推轴	PA6	
E	接触簧	磷铜镀银	
F	钩针	钢丝	
G	接脚	黄铜镀银	
H	弹簧	T9A镀镍	

TITLE	DOOR LATCH SWITCH	DRAWN		TOLERANCE OTHERWISE UNLESS SPECIFIED	8				
PART NO.	Lock switch	CHECKED		UP TO 5	±0.2	6			
DRAW NO.	GD-PR-2W	APPROVED		ABOVE 5 ~ 30	±0.3	5			
SCALE: 2:1	UNIT: mm	DATE:		ABOVE 30 ~ 50	±0.4	4			
				ABOVE 50	±0.5	3	SPRING	SUS	1 Ni PLATED
				ANGLE	±3'	2	HOUSING	POM	1 BLACK
						1	SLIDER	PA12	1 BLACK
						NO.	PARTS	MATERIAL	QTY. FINISHING
 東莞市高迪電子有限公司									
DONG GUAN GAODI ELECTRONICS CO., LTD.									



下压锁止行程: 5.4mm
解锁行程: 1.5mm



锁住状态



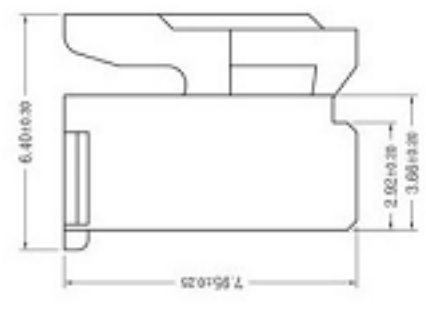
解锁状态



电路图



带线L240mm
UL2468-24#白蓝并线



产品构造			
A	外壳	PA66	零部件
B	盖板	PBT	
C	压簧片	POM	
D	推轴	PA6	
E	接触簧	磷铜镀银	
F	钩针	钢丝	
G	接脚	黄铜镀银	
H	弹簧	T9A镀镍	

TITLE	DOOR LATCH SWITCH	DRAWN		TOLERANCE OTHERWISE UNLESS SPECIFIED	8			
PART NO.	Lock switch	CHECKED		UP TO 5	±0.2	6		
DRAW NO.	GD-PR-2-X	APPROVED		ABOVE 5 ~ 30	±0.3	5		
SCALE: 2:1	UNIT: mm	DATE:		ABOVE 30 ~ 50	±0.4	4		
				ABOVE 50	±0.5	3	SPRING	SUS 1 Ni PLATED
				ANGLE	±3'	2	HOUSING	POM 1 BLACK
						1	SLIDER	PA12 1 BLACK
						NO.	PARTS	MATERIAL QTY. FINISHING
DONG GUAN GAODI ELECTRONICS CO., LTD.								

东莞市高迪电子有限公司