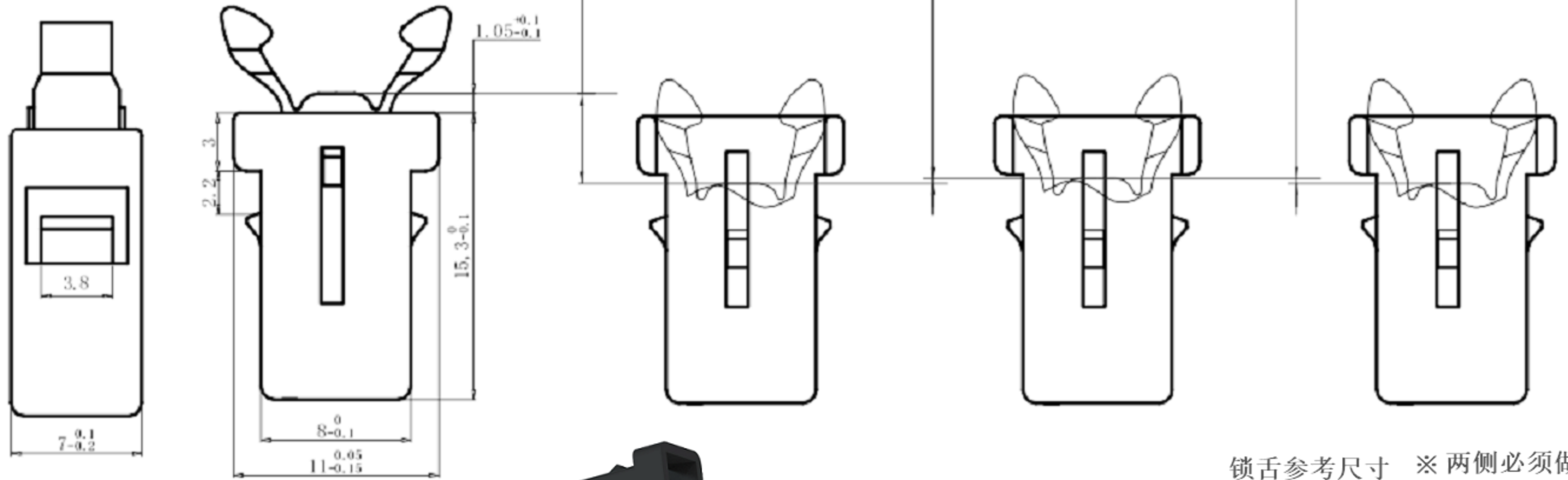


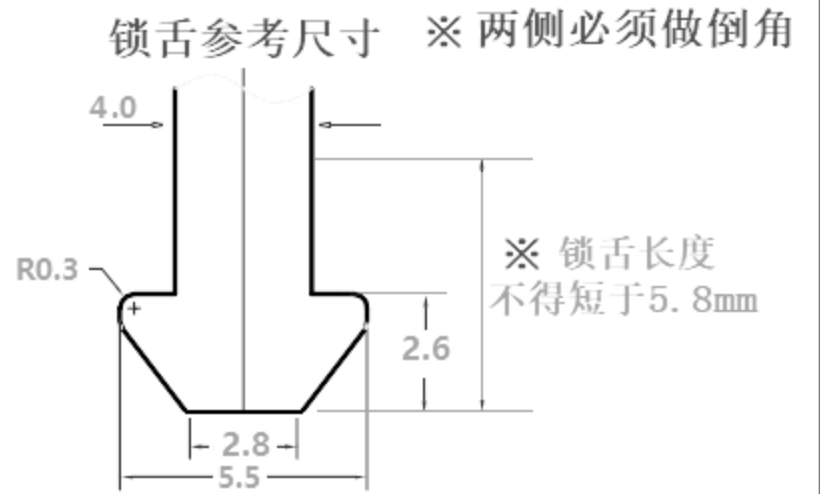
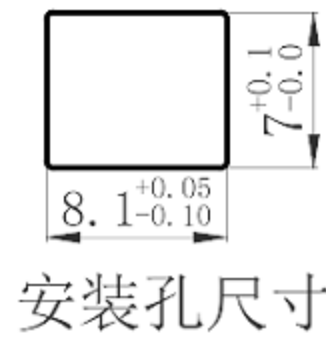
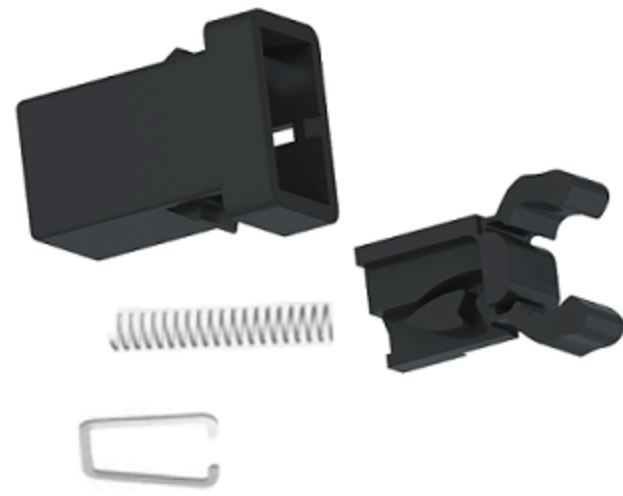
解锁状态  $\rightarrow$

下压5.6mm达到锁定行程  $\rightarrow$

回弹1.1mm为锁住状态  $\rightarrow$  继续下压1.1mm即达到解锁行程



外壳: POM  
 按键: PA66  
 弹簧: SUS304  
 钩针: SUS304  
 脱钩力: 20N



注: 未标公差的尺寸公差为 $\pm 0.1$ mm

※ 注: 锁舌厚度或者直径不能大于5.7mm

TITLE	DOOR LATCH SWITCH	DRAWN		TOLERANCE OTHERWISE UNLESS SPECIFIED	8					
PART NO.	Lock switch	CHECKED		UP TO 5	$\pm 0.2$	6				
DRAW NO.	GD-PR-1P	APPROVED		ABOVE 5 ~ 30	$\pm 0.3$	5				
SCALE: 2:1	UNIT: mm	DATE:		ABOVE 30 ~ 50	$\pm 0.4$	4				
				ABOVE 50	$\pm 0.5$	3	SPRING	SUS	1 Ni PLATED	
				ANGLE	$\pm 3^\circ$	2	HOUSING	POM	1 BLACK	
						1	SLIDER	PA12	1 BLACK	
						NO.	PARTS	MATERIAL	QTY. FINISHING	
<b>東莞市高迪電子有限公司</b>							DONG GUAN GAODI ELECTRONICS CO., LTD.			