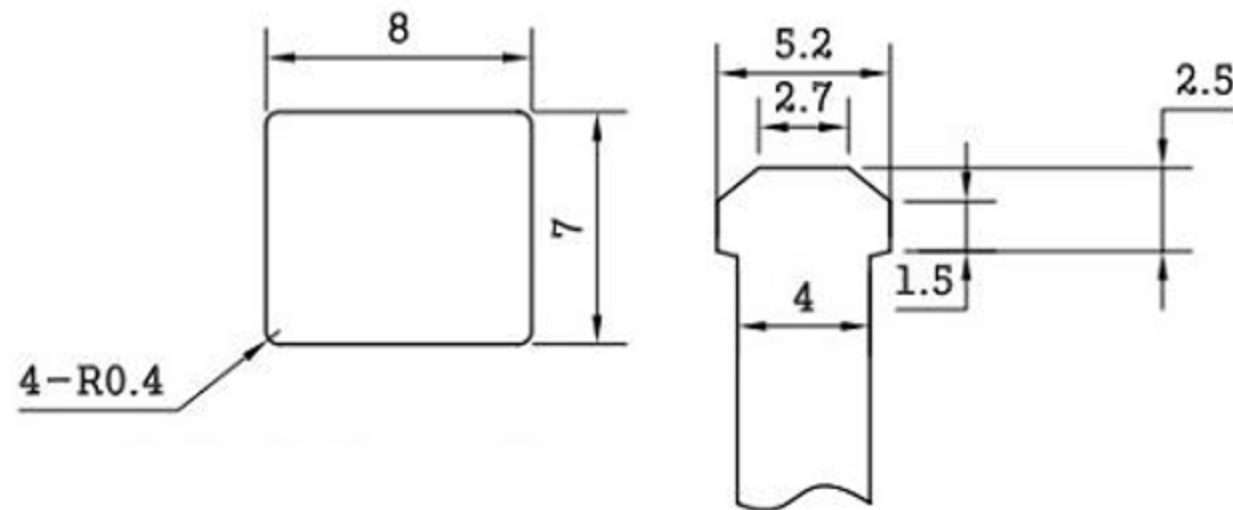


注：未标注公差为±0.1

建议安装孔尺寸



建议挂钩尺寸

主要技术规格：

寿命次数：100000次

按力：4-6N

温度范围：-25~+85℃

耐压：AC 250V (50Hz) /min

绝缘电阻：>100MΩ

承受最大拉力：20N

|                                       |                   |          |  |                                      |      |     |         |          |                |
|---------------------------------------|-------------------|----------|--|--------------------------------------|------|-----|---------|----------|----------------|
| TITLE                                 | DOOR LATCH SWITCH | DRAWN    |  | TOLERANCE OTHERWISE UNLESS SPECIFIED | 8    |     |         |          |                |
| PART NO.                              | Lock switch       | CHECKED  |  | UP TO 5                              | ±0.2 | 6   |         |          |                |
| DRAW NO.                              | GD-PR-1B          | APPROVED |  | ABOVE 5 ~ 30                         | ±0.3 | 5   |         |          |                |
| SCALE: 2:1                            | UNIT: mm          | DATE:    |  | ABOVE 30 ~ 50                        | ±0.4 | 4   |         |          |                |
|                                       |                   |          |  | ABOVE 50                             | ±0.5 | 3   | SPRING  | SUS      | 1 Ni PLATED    |
|                                       |                   |          |  | ANGLE                                | ±3'  | 2   | HOUSING | POM      | 1 BLACK        |
|                                       |                   |          |  |                                      |      | 1   | SLIDER  | PA12     | 1 BLACK        |
|                                       |                   |          |  |                                      |      | NO. | PARTS   | MATERIAL | QTY. FINISHING |
| <b>東莞市高迪電子有限公司</b>                    |                   |          |  |                                      |      |     |         |          |                |
| DONG GUAN GAODI ELECTRONICS CO., LTD. |                   |          |  |                                      |      |     |         |          |                |